

Everything Easy: SIRIUS Modular System

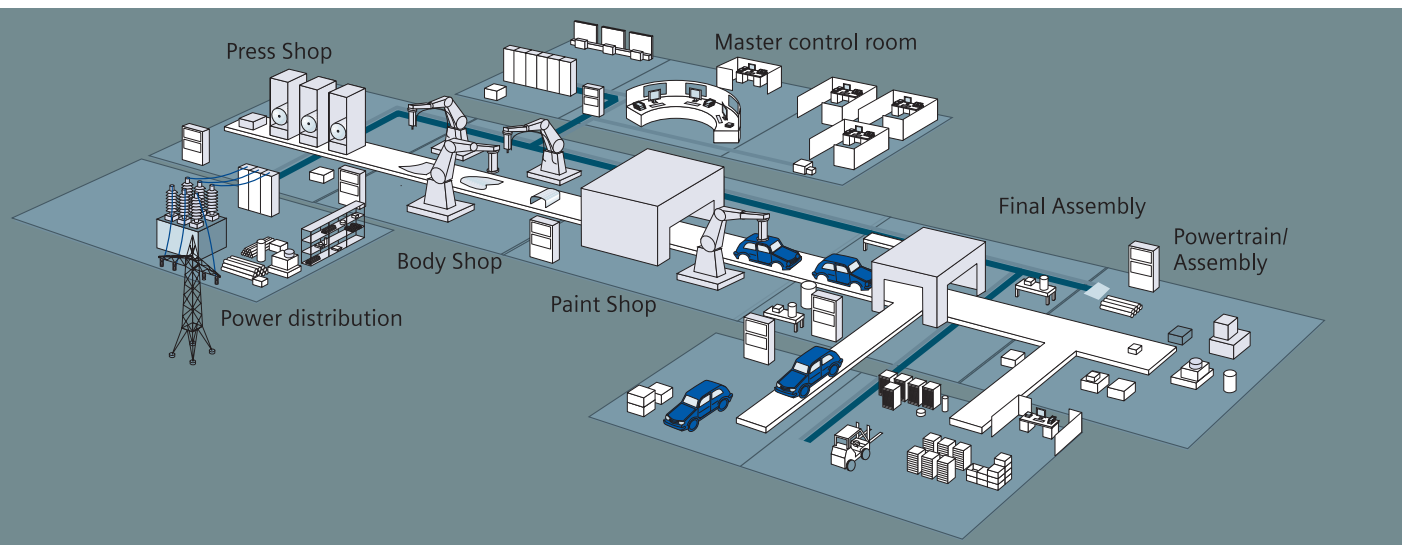


SIRIUS

Highly flexible system-based switching, protecting and starting.
Answers for industry.

SIEMENS

Everything for the electrical cabinet: SIRIUS Modular System.



Everything. Easy. SIRIUS

For more than 110 years now we have been developing and manufacturing industrial control products. We have always followed the philosophy to make it easier to use-whether in the electrical control panels, in the field or directly at the machine. Today we have combined our complete range of industrial controls under one star: SIRIUS

An important element of our SIRIUS industrial controls is the extensive range of products that we can offer associated with protecting, controlling, switching motor loads and systems. You can look to the future with **confidence**. From well proven and reliable contactors, relays, MPCBs, soft starters ... upto innovative SIRIUS SC solid state switching devices for use in the toughest conditions. With SIRIUS you always switch simply, safely and reliably. With SIRIUS industrial controls, you can look to the future with confidence.

Pressing, equipping, transporting. These functions run in many automated production environments. You'll find everything that you need to switch, protect and start motors with the extensive portfolio of the modular SIRIUS system.



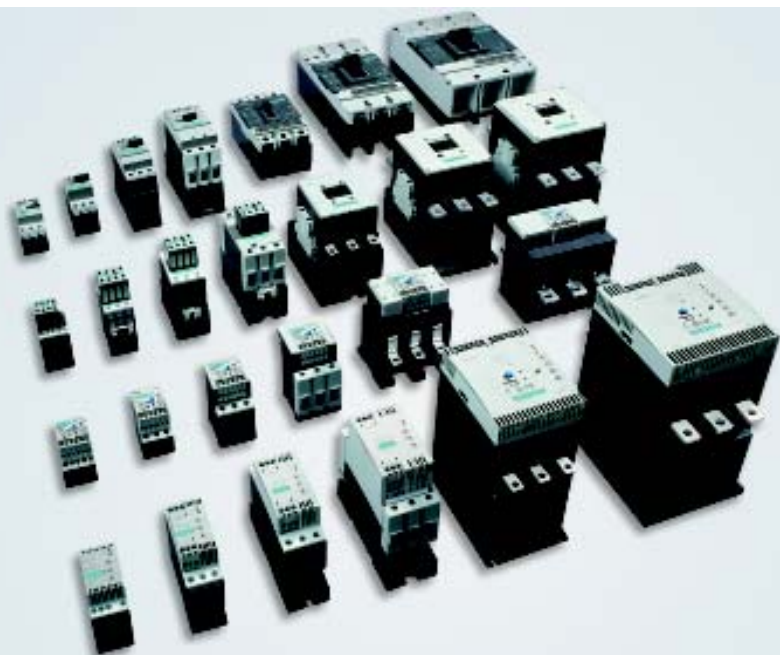
Contents	Page No
SIRIUS Modular System	
An overview and components of modular system	2
Load feeders	6
Contactors for every application	7
S00 structure	10
S00 selection and ordering data: Circuit breakers, contactors, soft starters, overload relays	
S0 structure	12
S0 selection and ordering data: Circuit breakers, contactors/solid-state contactors and reversing contactors, soft starters, overload relays	
S2 structure	14
S2 selection and ordering data: Circuit breakers, contactors, soft starters, overload relays	
S3 structure	16
S3 selection and ordering data: Circuit breakers, contactors, soft starters, overload relays	
S6, S10, S12 structure	18
S6, S10, S12 selection and ordering data: Contactors, overload relays, soft starters	
Selection and ordering data	20
contactor relay, latched contactor relay, low consumption coil contactor relay and contactors, AC-1 duty contactor 4 pole contactor, 2NO 2NC contactor	
Accessories	22

Everything fits: The modular SIRIUS system.

When it comes to configuring electrical control panels everything must go quickly, simply and flexibly. How can all of these be fulfilled? With unique, modular SIRIUS system that offers everything required for switching, protecting and starting motors and plants.

This is a modular range of standard components up to 250kW/415V where everything is optimally harmonized with one another. Industrial controls can be so simple with SIRIUS system.

Ongoing development and continuous innovation ensure that our customers – today and tomorrow – are best equipped with SIRIUS, and profit from cost-effective solutions. All of the components of the modular SIRIUS system distinguish themselves due to their space-saving design and high degree of flexibility. Engineering, mounting & installation, wiring and maintenance can be simply implemented and in a time-saving fashion. It doesn't make any difference if you wish to configure your load feeders with circuit breakers or overload relays, contactors or soft starters – SIRIUS always has the optimum product for your particular application.



The advantages of the SIRIUS modular system at a glance

Load feeders	Up to 250 kW/415 V – can be simply assembled using standard device
Modular design	Everything fits together as required
Accessories	Innovative accessories offer cost effective solutions
Configuration	Saves time with simple wiring and commissioning
Communication	Can be connected to AS-Interface and PROFIBUS DP
Service/maintenance	Extremely long service life, reliable and low maintenance
Approvals	Approved and certified worldwide – e.g. IEC, UL, CSA, CCC, marine engineering
Mounting	Screwed or click fit for permanent, safe and reliable mounting
Environmental issues	Environmentally-compatible production processes and materials Materials can be recycled Low power loss
Aesthetics	Ergonomically designed Has received the iF Product Design Award

An overview of the SIRIUS Modular System.

Circuit breakers



Contactors



Overload relays



Soft starters



S00 S0 S2 S3 S6 S10 S12

* With high switching frequencies, we recommend application of the solid-state contactors / reversing contactors

Switching. Protecting. Starting.

The components of the SIRIUS Modular System.



Far more than ON/OFF:
SIRIUS 3RV circuit breakers

SIRIUS 3RV motor protection circuit breakers are compact, current-limiting circuit breakers. They guarantee safe reliable shutdown when short circuits occur and protect loads and plants against overload. Furthermore, they are suitable for operationally switching load feeders and safely disconnecting the plant or system from the line supply when service is being carried. SENTRON 3VL circuit breakers are suitable for applications above 100 A. As infeed and load feeder breaker, they protect plants and motors against short circuit and overload.



Rugged and reliable:
SIRIUS 3RT contactors

You can easily find what you require in this complete family -with only seven sizes for the power range up to 250kW/415V.

Secondly-you can completely depend on SIRIUS contactors- and we mean completely. These benefits distinguish themselves due to high operational reliability, long lifetime, always the best electrical contacts and the rugged character - even at high ambient temperatures. It goes without saying that the contactors have everything that you expect from the modular SIRIUS system.



Competently mastering high switching frequencies:
SIRIUS 3RF solid-state contactors

SIRIUS solid-state contactors (size S0) for motor switching are characterized by their virtually unlimited service life – even under harsh conditions and with high switching frequencies. The three-phase solid-state contactors switch motors up to 7.5 kW. A special reversing contactor version facilitates a continuous reversal of the rotational direction of motors up to 3 kW. The compact devices in 45 or 90 mm width can be combined with motor protection circuit breakers or microprocessor based overload relays – for the fast and easy assembly of fuseless and fused motor feeders.



Tripping when things get tough:
SIRIUS 3RU and 3RB overload relays

The overload relays of the SIRIUS family, available as either thermal or microprocessor based versions, protect loads connected to the main circuit, as a function of the current, and also protect other switching and protective devices in the particular load feeder. The solid-state SIRIUS 3RB2 overload relays guarantee seamless motor and plant protection from 0.1 A to 630 A. Due to the wide setting ranges, the current range is covered with a minimum number of versions.



Gentle starting:
SIRIUS 3RW soft starters

SIRIUS 3RW soft starters offer a seamless range that covers all standard and high-feature motor starting applications. They can be used in the widest range of applications to exploit the advantages of soft starting for the easy and efficient realization of optimum machine concepts. The compact two-phase-controlled 3RW30 facilitates efficient and space-saving soft starting up to 55 kW (with 415 V). The 3RW40 additionally offers soft stopping as well as integrated intrinsic device and motor protection functions, thanks to which an additional overload relay becomes redundant. Device versions up to a rating of 55 kW (with 415 V) are available.

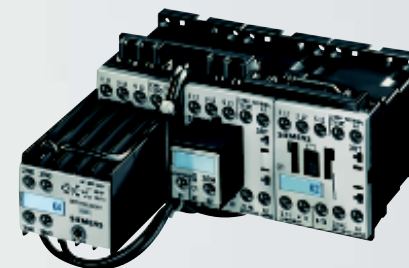
Made easy: Engineered load feeders



Straight ahead:
The 3RA11 DOL starter



Phases interchanged:
The 3RA12 reversing starter



Two stages – one start:
The 3RA14 star-delta combination

Ready for immediate use:

Standard, modular components that are optimally harmonized with one another and are quite simple to combine with the same accessories and many other additional synergies. Well-proven modular SIRIUS system offers you all of this so that you can simply engineer your load feeders. SIRIUS system includes everything that you require to switch, protect and start motors and plants.

Engineering, installation, wiring and service & maintenance are extremely simple and save time. Our modular SIRIUS system offers you the optimum product for every application. It doesn't matter whether you wish to engineer load feeders with circuit-breakers or overload relays, contactors or soft starters.

- DOL starters up to 22 kW – the optimum starter combination for all motors.
- Reversing starters up to 11 kW – the matching combination for reversing motors.
- Star-delta combinations up to 75 kW – the solution for running-up motors in stages.
- Soft starters – when soft starting and stopping is required.

Everything: Contactor for every application

Auxiliary contactors



SIRIUS auxiliary contactors reliably control output signals and interlock switching devices in control and auxiliary circuits. Cross-ribbing technique ensures high contact reliability.

3-pole contactor



The 3RT10 3-pole contactors are the optimum choice to control three-phase motors. With just seven sizes, they cover a power range from 3 to 250 kW / 415 V for AC and DC control

3-pole vacuum contactors



Due to its significant high electrical life 3RT12 vacuum contactors become an ideal choice for applications where low downtime is crucial. Suitability of switching upto 1000V offer another application area for these contactors.

4-pole contactors



3RT contactor is available in 4NO & 2NO+2NC configuration for power contactors. 4NO configuration is ideally suitable for switching the source requiring neutral isolation. Changing the polarity of hoisting gear motors can be easily met with use of 2NO+2NC configuration with just one contactor. Two separate loads can be switched by 2NO+2NC contactors thus saving cost of additional contactor.

Capacitor duty contactors



When it comes to switching power capacitors, the 3RT16 capacitor contactors are the best choice.

3-pole AC-1 duty contactors



The high performance 3RT14 AC-1 contactors are in their element everywhere resistive rated currents have to be switched. 3RT14 offers an economical choice for applications involving AC-1 duty switching such as heater loads, soft starter bypass or VFD switching.

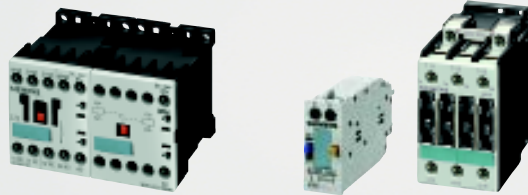
Everything Easy: SIRIUS contactor for every application

Low consumption coils



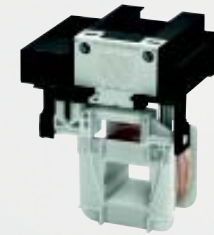
SIRIUS range of low-consumption coil contactors consume power as low as 2.3W @ 24V DC. Hence, these can be directly driven by PLC output, thus eliminating use of interposing relays. These contactors come with built-in surge suppressor and a wide operating range of 0.7–1.25 x Us.

Latch block & latched contactor relay



Critical applications might require the process to continue even after failure of control voltage. The contactor is designed to remain in ON state even on failure of control voltage ensuring less downtime. This is achieved by mechanical latch which can be delatched electrically or manually.

Withdrawable coil



Replacement of the magnetic coil of a contactor can be cumbersome, especially for big contactors. This might lead to larger down times which is not affordable in processing industries. SIRIUS contactors for large sizes viz., S6 to S12 (115A onwards to 500A) have withdrawable coils which can be replaced within no time and without the use of any special tools. Moreover these coils are suitable for AC 50/60Hz or DC. Thus reducing the cost of inventory.

Surge suppressors with LED



Surge suppressor with LED, as an accessory to the contactor, serves dual purpose. The suppressor protects the system from surges and the LED indicates the energized state of the contactor.

LED modules for indication



SIRIUS LED indication module is a unique feature which indicates the energized state of a contactor. The LED glows when the control supply is switched ON indicating the energized state, of the contactor. In case of non-compartmentalised panels, a large number of contactors are mounted side-by-side on a common DIN rail. This feature helps in a easy identification of the "ON" or "OFF" state of contactor.

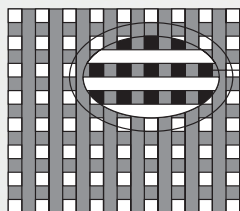
Solid state coil



Large size contactors cannot be driven directly by a PLC output as the 'VA' burden of the coil is too large. Generally, a relay board is used as an interface between the PLC and the contactor coil. SIRIUS range of contactors with solid state coil have the required electronics imbedded within the contactor to be controlled directly by the PLC. This eliminates the need of the interface module, thereby saving cost.

Everything Easy: SIRIUS contactor for every application

Contact ribbing



Surface contamination is the most common cause of control circuit contact faults. This leads to erroneous control signals which can cause accident. Identifying the faulty contactor results in long downtime. Cross-ribbing the contact areas is an extremely effective way of increasing contact reliability. All the auxiliary contacts of the SIRIUS contactors have this feature. This ensures a contact reliability at 17V, 1mA and probability of contact faults is less than 1 fault per 100 million operating cycles.

Remaining lifetime indicator (RLT)



The degree of contact erosion is not merely the number of ON/OFF operations, it depends on the loading, operating mode, etc. To avoid unforeseen down times in a plant, the erosion of the contacts have to be monitored regularly. SIRIUS contactor with remaining lifetime indication takes over this task. It electronically identifies, evaluates and stores the actual progress of erosion of the main contacts and outputs a warning when specified limits are reached.

Coupling link for control by PLC



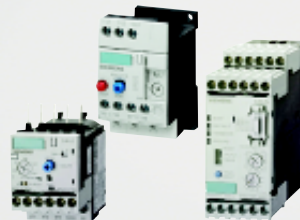
The output signal of a PLC is not strong enough to switch on a contactor coil. SIRIUS coupling link can be used to overcome this shortfall. The coupling link is mounted onto the coil terminals of the contactor. The PLC signal is supplied to the coupling link which in turn energizes the coil of the contactor. Thus saving cost of an additional interposing relay.

Repeated control terminals



All SIRIUS contactors upto size S3 (95A AC-3) allow coil to be connected either from top or from bottom or diagonally. This simplifies the wiring & provides high degree of flexibility in the overall configuration.

3RB micro-processor relay



SIRIUS 3RB range of Microprocessor based motor protection relays offer protection for motors against various faults viz., overload, phase failure, earth fault, etc. The higher end 3RB relays with large setting (1:10) also offer thermistor protection. They are modular in design and can accommodate add on modules such as internal earth fault protection module, analog output module, overload warning module, ground fault signalling module, etc.

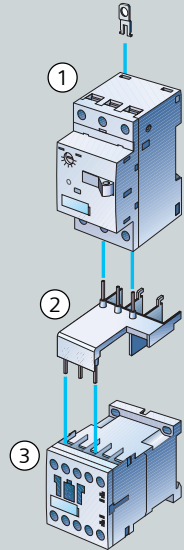
Relay function in 3RV MPCB



Overload can be a frequent phenomenon in the industry. Each time an overload occurs, the MPCB trips thereby protecting the system. However, as the life of the MPCB is limited as compared to contactor, this frequent tripping is not desirable. SIRIUS range of 3RV MPCB with relay function overcomes this problem. The MPCB trips only on occurrence of a short circuit. During overload condition, the MPCB senses the overload and signals the contactor to drop-off thereby saving on the life of MPCB.

S00 design

Direct start



	Version	Order No.
--	---------	-----------

- ① Size S00 circuit breaker
- ② Link module AC/DC 3RA1911-1AA00
- ③ Size S00 contactor

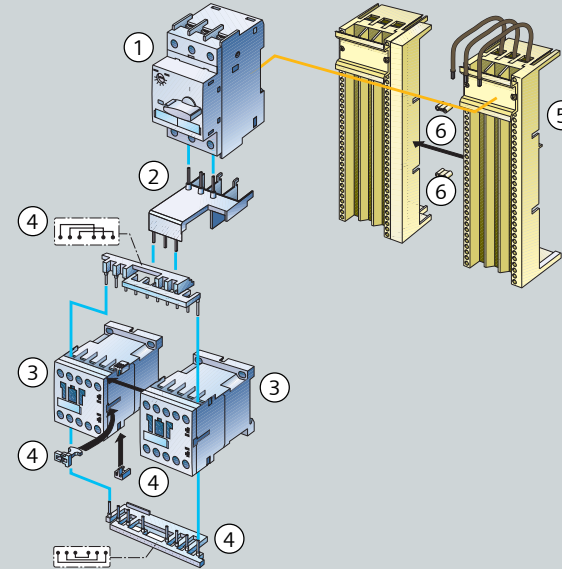
For busbar mounting (alternative)

Busbar adapter	40 mm	8US10 51-5DM07
	60 mm	8US12 51-5DM07

For rail mounting (diagram)

Directly snapped onto a mounting rail without adapter

Reversing start



	Version	Order No.
--	---------	-----------

- ① Size S00 circuit breaker
- ② Connector 3RA19 11-1AA00
- ③ 2 Size S00 contactors
- ④ Wiring kit:
upper link module,
lower link module,
2 connecting clips,
mechanical interlock
(these can be eliminated) 3RA19 13-2A

For busbar mounting (diagram)

- ⑤ Controlgear support 40 mm 8US10 50-5AM00
60 mm 8US12 50-5AM00
- ⑥ Busbar adapter 40 mm 8US10 51-5DM07
60 mm 8US12 51-5DM07
- ⑦ Link wedges
(1 Order No. = 100 wedges) 8US19 98-1AA00

For rail mounting (alternative)

Directly snapped onto mounting rails without adapter

S00 selection and ordering data



1) For the suitable circuit breaker connection module, please refer to the catalog

3-phase motor AC-3/415 V	
[kW]	[A]
0.04	0.14
0.06	0.2
0.06	0.2
0.09	0.3
0.09	0.3
0.12	0.4
0.18	0.6
0.18	0.6
0.25	0.8
0.37	1.1
0.55	1.5
0.75	1.9
0.75	1.9
1.1	2.7
1.5	3.6
1.5	3.6
2.2	5.2
3	6.8
4	9
5.5	11.5

Circuit breakers	
Setting range CLASS 10 [A]	Order No.
0.11 – 0.16	3RV10 11-0AA10
0.14 – 0.2	3RV10 11-0BA10
0.18 – 0.25	3RV10 11-0CA10
0.22 – 0.32	3RV10 11-0DA10
0.28 – 0.4	3RV10 11-0EA10
0.35 – 0.5	3RV10 11-0FA10
0.45 – 0.63	3RV10 11-0GA10
0.55 – 0.8	3RV10 11-0HA10
0.7 – 1	3RV10 11-0JA10
0.9 – 1.25	3RV10 11-0KA10
1.1 – 1.6	3RV10 11-1AA10
1.4 – 2	3RV10 11-1BA10
1.8 – 2.5	3RV10 11-1CA10
2.2 – 3.2	3RV10 11-1DA10
2.8 – 4	3RV10 11-1EA10
3.5 – 5	3RV10 11-1FA10
4.5 – 6.3	3RV10 11-1GA10
5.5 – 8	3RV10 11-1HA10
7 – 10	3RV10 11-1JA10
9 – 12	3RV10 11-1KA10

Contactors			
Control supply voltage	AC3 [A]	Auxiliary switches	Order No.
AC	7	1NC	3RT10 15-1A..2
	7	1NO	3RT10 15-1A..1
DC	7	1NC	3RT10 15-1B..2
	7	1NO	3RT10 15-1B..1
AC	9	1NC	3RT10 16-1AP02
	9	1NO	3RT10 16-1AP01
DC	9	1NC	3RT10 16-1BB42
	9	1NO	3RT10 16-1BB41
AC	12	1NC	3RT10 17-1AP02
	12	1NO	3RT10 17-1AP01
DC	12	1NC	3RT10 17-1BB42
	12	1NO	3RT10 17-1BB41

Soft starters ¹⁾		
Control supply voltage	Rated operating current I _e [A]	Order No.
24...230 V AC/DC	3	3RW30 03-1CB54
24 V AC/DC	6	3RW30 14-1CB04
110...230 V AC/DC	6	3RW30 14-1CB14
24 V AC/DC	9	3RW30 16-1CB04
110...230 V AC/DC	9	3RW30 16-1CB14
24 V AC/DC	12.5	3RW30 24-1AB04
110...230 V AC/DC	12.5	3RW30 24-1AB14

Overload relays			
Setting range CLASS 10 [A]	Thermal Order No.	Setting range	Electronic Order No.
0.11 – 0.16	3RU11 16-0AB0		
0.14 – 0.2	3RU11 16-0BB0		
0.18 – 0.25	3RU11 16-0CB0	0.1 – 0.4	3RB2□1□-□RB0
0.22 – 0.32	3RU11 16-0DB0		
0.28 – 0.4	3RU11 16-0EB0		
0.35 – 0.5	3RU11 16-0FB0		
0.45 – 0.63	3RU11 16-0GB0		
0.55 – 0.8	3RU11 16-0HB0	0.32 – 1.25	3RB2□1□-□NB0
0.7 – 1	3RU11 16-0JB0		
0.9 – 1.25	3RU11 16-0KB0		
1.1 – 1.6	3RU11 16-1AB0		
1.4 – 2	3RU11 16-1BB0		
1.8 – 2.5	3RU11 16-1CB0	1 – 4	3RB2□1□-□PB0
2.2 – 3.2	3RU11 16-1DB0		
2.8 – 4	3RU11 16-1EB0		
3.5 – 5	3RU11 16-1FB0		
4.5 – 6.3	3RU11 16-1GB0		
5.5 – 8	3RU11 16-1HB0		
7 – 10	3RU11 16-1JB0	3 – 12	3RB2□1□-□SB0
9 – 12	3RU11 16-1KB0		

CLASS 10

0	6	1
---	---	---

 CLASS 5...30*

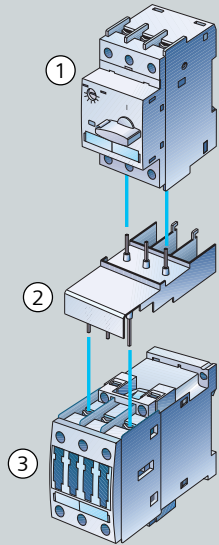
1	3	4
---	---	---

* With ground-fault detection (activatable) and electrical remote reset

Coil Codes: AC : B0-24V 50/60 Hz, F0-110 50/60 Hz, P0-230V 50/60Hz, V0-400 50/60Hz
 DC : B4-24VDC, F4-110VDC, M4-220VDC

S0 design

Direct start



	Version	Order No.
① Size S0 circuit breaker		
② Link module	AC	3RA19 21-1AA00
	DC	3RA19 21-1BA00

③ Size S0 contactor, solid-state contactor, solid-state reversing contactor; soft starter

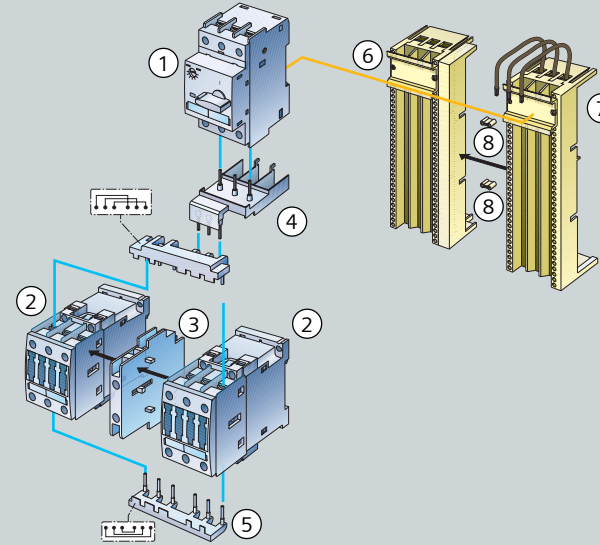
For busbar mounting (alternative)

Busbar adapter	40 mm	8US10 51-5DM07
	60 mm	8US12 51-5DM07

For rail mounting (diagram)

Directly snapped onto a mounting rail without adapter

Reversing start



	Version	Order No.
① Size S0 circuit breaker		
② 2 Size S0 connectors		
③ Mechanical interlock		3RA19 24-2B
④ Link module	AC	3RA19 21-1AA00
	DC	3RA19 21-1BA00

⑤ Wiring kit:
upper link module,
lower link module

3RA19 23-2A

For busbar mounting (diagram)

⑥ Controlgear support	40 mm	8US10 50-5AM00
	60 mm	8US12 50-5AM00
⑦ Busbar adapter	40 mm	8US10 51-5DM07
	60 mm	8US12 51-5DM07
⑧ Link wedges (1 Order No. = 100 wedges)		8US19 98-1AA00

For rail mounting (alternative)

Rail adapter	3RA19 22-1AA00
Side module (1 Order No. = 10 modules)	3RA19 02-1B
Link wedges (1 Order No. = 100 wedges)	8US19 98-1AA00

S0 selection and ordering data



- 1) With 3RW40: for rated device operating voltage Ue: 200–480 V (see catalog for Ue: 415–600 V)
- 2) Fan available as accessory
- 3) Mounting on circuit breaker (MSP) by means of 3RA 19 21-1AA00 connection module
- 4) For the suitable circuit breaker connection module, please refer to the catalog

3-phase motor AC-3/415 V [kW]	[A]
4	9
5.5	11.5
7.5	15.5
7.5	15.5
11	22
11	22

Circuit breakers (MPCB)	
Setting range CLASS 10 [A]	Order No.
7 – 10	3RV10 21-1JA10
9 – 12.5	3RV10 21-1KA10
11 – 16	3RV10 21-4AA10
14 – 20	3RV10 21-4BA10
17 – 22	3RV10 21-4CA10
20 – 25	3RV10 21-4DA10

Contactors			
Control supply voltage	AC3 [A]	Auxiliary contacts	Order No.
AC	9	–	3RT10 23-1A..0
DC	9	–	3RT10 23-1B..0
AC	12	–	3RT10 24-1A..0
DC	12	–	3RT10 24-1B..0
AC	17	–	3RT10 25-1A..0
DC	17	–	3RT10 25-1B..0
AC	25	–	3RT10 26-1A..0
DC	25	–	3RT10 26-1B..0

Soft starters ⁴⁾		
Control-supply voltage	Rated operating current Ie [A]	Order No.
110–230 V ²⁾ AC/DC	9	3RW30 16-1CB14
110–230 V ³⁾ AC/DC	12.5	3RW40 24-1BB14 ¹⁾
24 V ²⁾ AC/DC	12.5	3RW40 24-1BB04 ¹⁾
110–230 V AC/DC	25	3RW30 26-1AB14
24 V AC/DC	25	3RW30 26-1AB04
110–230 V ²⁾ AC/DC	25	3RW40 26-1BB14 ¹⁾
24 V ²⁾ AC/DC	25	3RW40 26-1BB04 ¹⁾

Overload relays			
Setting range CLASS 10 [A]	Thermal Order No.	Setting range [A]	Electronic Order No.
3 – 12	3RU11 26-1JB0		
9 – 12.5	3RU11 26-1KB0		
11 – 16	3RU11 26-4AB0	6 – 25	3RB2□2□-□QB0
14 – 20	3RU11 26-4BB0		
17 – 22	3RU11 26-4CB0		
20 – 25	3RU11 26-4DB0		

CLASS 10

0	6	1
1	3	4

 CLASS 5...30*

1	3	4
---	---	---

 * With ground-fault detection (activatable) and electrical remote reset

1.5	3.8	2.8 – 4	3RV10 21-1EA10
2.2	5.2	4.5 – 6.3	3RV10 21-1GA10
3	7.4	5.5 – 8	3RV10 21-1HA10
4	9.2	7 – 10	3RV10 21-1JA10
5.5	12.5	9 – 12.5	3RV10 21-1KA10
7.5	16	11 – 16	3RV10 21-4AA10

Solid-state contactors			
110–230 V AC	–	3RF24 05-1BB24 ³⁾	
24 V DC	–	3RF24 05-1BB04 ³⁾	
110–230 V AC	–	3RF24 10-1BB24 ³⁾	
24 V DC	–	3RF24 10-1BB04 ³⁾	
110–230 V AC	–	3RF24 12-1BB24 ³⁾	
24 V DC	–	3RF24 12-1BB04 ³⁾	
110–230 V AC	–	3RF24 16-1BB24 ³⁾	
24 V DC	–	3RF24 16-1BB04 ³⁾	

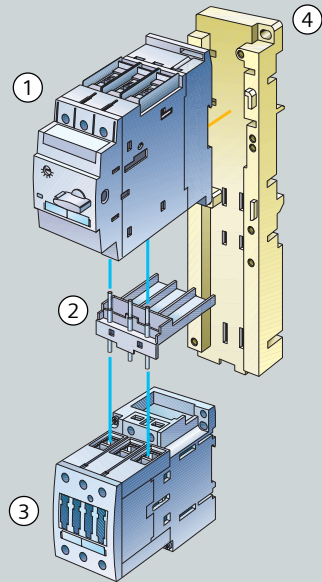
Solid-state reversing contactors		
110–230 V AC	3RF24 03-1BD24 ³⁾	
24 V DC	3RF24 03-1BD04 ³⁾	
110–230 V AC	3RF24 05-1BD24 ³⁾	
24 V DC	3RF24 05-1BD04 ³⁾	
110–230 V AC	3RF24 10-1BD24 ³⁾	
24 V DC	3RF24 10-1BD04 ³⁾	

1 – 4	3RB2□2□-□PB0
3 – 12	3RB2□2□-□SB0
6 – 25	3RB□2□2-□QB0

Coil Codes: AC : C2-24V 50/60 Hz, G2-110V 50/60 Hz, L2-230V 50/60 Hz, V0-400V 50/60 Hz
 DC : B4-24VDC, F4-110VDC, M4-220VDC

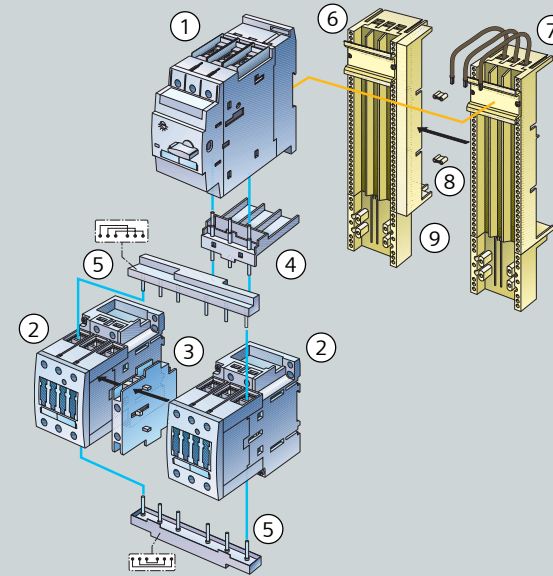
S2 design

Direct start



	Version	Order No.
① Size S2 circuit breaker		
② Link module	AC DC	3RA19 31-1AA00 3RA19 31-1BA00
③ Size S2 contactor		
For busbar mounting (alternative)		
Busbar adapter	40 mm 60 mm	8US10 61-5FP08 8US12 61-5FP08
For rail mounting (diagram)		
④ Rail adapter		3RA19 32-1AA00

Reversing start



	Version	Order No.
① Size S2 circuit breaker		
② 2 Size S2 connectors		
③ Mechanical interlock		3RA19 24-2B
④ Link module	AC DC	3RA19 31-1AA00 3RA19 31-1BA00
⑤ Wiring kit: upper link module, lower link module		3RA19 33-2A
For busbar mounting (diagram)		
⑥ Controlgear support	60 mm	8US12 60-5AP00
⑦ Busbar adapter	60 mm	8US12 61-5FP08
⑧ Link wedges (1 Order No. = 100 wedges)		8US19 98-1AA00
⑨ Side module		8US19 98-2BM00
For rail mounting (alternative)		
Rail adapter		3RA19 32-1AA00
Link wedges (1 Order No. = 100 wedges)		8US19 98-1AA00

S2 selection and ordering data



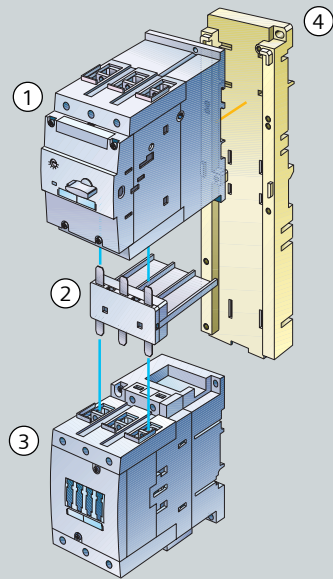
3-phase motor AC-3/415 V [kW] [A]	Circuit breakers (MPCB)		Contactors			Soft starters			Overload relays			
	Setting range CLASS 10 [A]	Order No.	Control supply voltage	AC3 [A]	Auxiliary contacts	Order No.	Control-supply voltage	Rated operating current I _e [A]	Order No.	Setting range CLASS 10 [A]	Thermal Order No.	Setting range [A]
15 29	22 – 32	3RV10 31-4EA10	AC 32 –	32 –	3RT10 34-1A..0	110–230 V AC/DC	32	3RW30 34-1AB14	22 – 32	3RU11 36-4EB0	12,5 – 50	3RB2□3□-□UB0
18.5 35	28 – 40	3RV10 31-4FA10	DC 32 –	32 –	3RT10 34-1B..0	24 V AC/DC	32	3RW30 34-1AB04	28 – 40	3RU11 36-4FB0		
22 41	36 – 45	3RV10 31-4GA10	AC 40 –	40 –	3RT10 35-1A..0	110–230 V AC/DC	45	3RW30 36-1AB14	36 – 45	3RU11 36-4GB0		
22 41	40 – 50	3RV10 31-4HA10	DC 40 –	40 –	3RT10 35-1B..0	24 V AC/DC	45	3RW30 36-1AB04	40 – 50	3RU11 36-4HB0		

Coil Codes: AC : C2-24V 50/60 Hz, G2-110V 50/60 Hz, L2-230V 50/60 Hz, V0-400V 50 Hz
DC : B4-24VDC, F4-110VDC, M4-220VDC

CLASS 10 0 6 1
CLASS 5...30* 1 3 4
* With ground-fault detection (activatable) and electrical remote reset

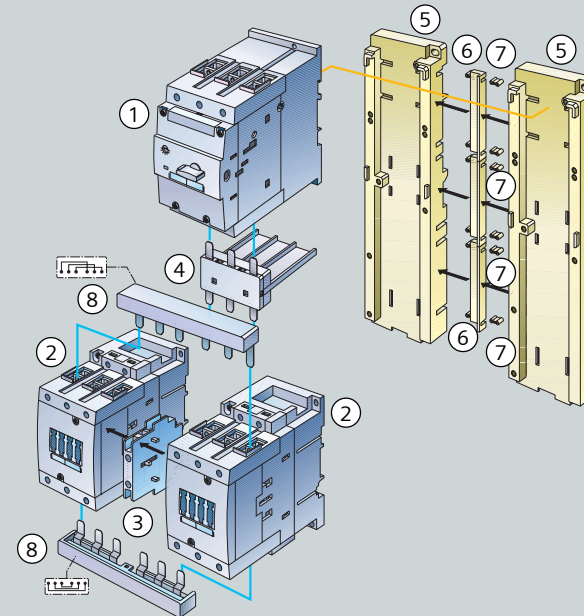
S3 design

Direct start



	Version	Order No.
① Size S3 circuit breaker		
② Link module	AC DC	3RA19 41-1AA00 3RA19 41-1BA00
③ Size S3 contactor		
For rail mounting (diagram)		
④ Rail adapter		3RA19 42-1A

Reversing start



	Version	Order No.
① Size S3 circuit breaker		
② 2 Size S3 connectors		
③ Mechanical interlock		3RA19 24-2B
④ Link module	AC DC	3RA19 41-1AA00 3RA19 41-1BA00
⑤ Rail adapter		3RA19 42-1AA00
⑥ Side modules for rail adapters (1 Order No. = 10 adapters)		3RA19 02-1B
⑦ Link wedges (1 Order No. = 100 wedges)		8US19 98-1AA00
⑧ Wiring kit: upper link module, lower link module		3RA19 43-2A

S3 selection and ordering data



3-phase motor AC-3/415 V [kW] [A]	Circuit breakers (MPCB)		Contactors			Soft starters			Overload relays			
	Setting range CLASS 10 [A]	Order No.	Control supply voltage	AC3 [A]	Auxiliary contacts	Order No.	Control-supply voltage	Rated operating current I _e [A]	Order No.	Setting range [A]	Thermal Order No.	Setting range [A]
30 55	42 – 63	3RV10 41-4JA10	AC 65	–	3RT10 44-1A..0	110–230 V AC/DC	63	3RW30 44-1AB14	45 – 63	3RU11 46-4JB0	25 – 100	3RB2□4□-□EB0
37 67	57 – 75	3RV10 41-4KA10	DC 65	–	3RT10 44-1B..0	24 V AC/DC	63	3RW30 44-1AB04	57 – 75	3RU11 46-4KB0		
45 80	70 – 90	3RV10 41-4LA10	AC 80	–	3RT10 45-1A..0	110–230 V AC/DC	100	3RW30 46-1AB14 ¹⁾	70 – 90	3RU11 46-4LB0		
45 80	80 – 100	3RV10 41-4MA10	DC 80	–	3RT10 45-1B..0	24 V AC/DC	100	3RW30 46-1AB04 ¹⁾	80 – 100	3RU11 46-4MB0		
			AC 95	–	3RT10 46-1A..0							
			DC 95	–	3RT10 46-1B..0							

CLASS 10

0	6	1
---	---	---

 CLASS 5...30*

1	3	4
---	---	---

 * With ground-fault detection (activatable) and electrical remote reset

Coil Codes: AC : C2-24V 50/60 Hz, G2-110V 50/60 Hz, L2-230V 50/60 Hz, V0-400V 50/60 Hz
 DC : B4-24VDC, F4-110VDC, M4-220VDC

S6, S10, S12 selection and ordering data



S6	
3-phase motor AC-3/415 V [kW]	[A]
55	115
75	150
90	185

Contactors	
Contactors without coil operating mechanism	Auxiliary Switches
3RT10 54-6LA06	2NO + 2NC
3RT10 55-6LA06	2NO + 2NC
3RT10 56-6LA06	2NO + 2NC

Coil operating mechanism	
Electromagnetic coil operating mechanism	Order No.
Conventional	3RT19 55-5A.31
OR	
for 24V DC PLC Output	3RT19 55-5N.31

Overload relays ¹⁾		
Setting range [A]	Electronic Order No.	Version
50 – 200	3RB2□5□-□FW2	with straight-through transformer
50 – 200	3RB2□5□-□FC2	with busbar connection

CLASS 10

0	6	1
1	3	4

CLASS 5...30*

1	3	4
---	---	---

* With ground-fault detection (activatable) and electrical remote reset

Soft starters		
Control-supply voltage	Rated operating current I _e [A]	Order No.
230 V AC	134	3RW40 55-6BB44
115 V AC	134	3RW40 55-6BB34
230 V AC	162	3RW40 56-6BB44
115 V AC	162	3RW40 56-6BB34



S10	
3-phase motor AC-3/415 V	
[kW]	[A]
110	225

Contactors	
Contactor without coil operating mechanism	Auxiliary Switches
3RT10 64-6LA06	2NO + 2NC
3RT10 65-6LA06	2NO + 2NC
3RT10 66-6LA06	2NO + 2NC

Coil operating mechanism	
Electromagnetic coil operating mechanism	Order No.
Conventional	3RT19 65-5A.31
OR	
for 24V DC PLC Output	3RT19 65-5N.31

Overload relays ¹⁾		
Setting range [A]	Electronic Order No.	Version
55 – 250	3RB2□6□-□GC2	with busbar connection
160 – 630	3RB2□6□-□MC2	with busbar connection

Soft starters		
Control-supply voltage	Rated operating current I _e [A]	Order No.
230 V AC	230	3RW40 73-6BB44
115 V AC	230	3RW40 73-6BB34
230 V AC	280	3RW40 74-6BB44
115 V AC	280	3RW40 74-6BB34



S12	
3-phase motor AC-3/415 V	
[kW]	[A]
200	400
250	500

Contactors	
Contactor without coil operating mechanism	Auxiliary Switches
3RT10 75-6LA06	2NO + 2NC
3RT10 76-6LA06	2NO + 2NC

Coil operating mechanism	
Electromagnetic coil operating mechanism	Order No.
Conventional	3RT19 75-5A.31
OR	
for 24V DC PLC Output	3RT19 75-5N.31

Overload relays ¹⁾		
Setting range [A]	Electronic Order No.	Version
160 – 630	3RB2□6□-□MC2	with busbar connection

CLASS 10 0 6 1
 CLASS 5...30* 1 3 4
 * With ground-fault detection (activatable) and electrical remote reset

Soft starters		
Control-supply voltage	Rated operating current I _e [A]	Order No.
230 V AC	356	3RW40 75-6BB44
115 V AC	356	3RW40 75-6BB34
230 V AC	432	3RW40 76-6BB44
115 V AC	432	3RW40 76-6BB34

Coil Codes: For conventional : B-23...26V 40 to 60 Hz, F-110...127V 40 to 60 Hz, P-220...240V 40 to 60 Hz
 For 24V DC PLC output : B-21...27V 40 to 6 Hz, F-96...127V 40 to 60 Hz, P-200...277V 40 to 60 Hz

1) For thermal overload relay use 3UR6 range

SENTRON 3VL circuit breakers are suitable for the fuseless short-circuit and overload protection of soft starters of size S6 or larger. For further information, please refer to the catalogue.

Selection and ordering data

3RH1 contactor relay

Operational current I _e AC-15 / AC-14 at 230V	Contacts	Contacts	Electromagnetic coil operating mechanism	Type#
A	NO	NC		
Size S00				
6	4	-	AC DC	3RH11 40-1A..0 3RH11 40-1B..0
	3	1	AC DC	3RH11 31-1A..0 3RH11 31-1B..0
	2	2	AC DC	3RH11 22-1A..0 3RH11 22-1B..0

3RH14 latched contactor relay

Operational current I _e AC-15 / AC-14 at 230V	Contacts	Contacts	Electromagnetic coil operating mechanism	Type#
A	NO	NC		
Size S00				
6	4	-	AC DC	3RH14 40-1A..0 3RH14 40-1B..0
	3	1	AC DC	3RH14 31-1A..0 3RH14 31-1B..0
	2	2	AC DC	3RH14 22-1A..0 3RH14 22-1B..0

3RH11 low consumption coil coupling relays

Rated control supply voltage U_s = 24 V DC, Coil operating range 0.7 to 1.25xU_s
Power Consumption of the coils 2.3W at 24V DC (No auxiliary contacts can be mounted)

Operational current I _e AC-15 / AC-14 at 230V	Contacts	Contacts	Electromagnetic coil operating mechanism	Type
A	NO	NC		
Size S00				
6	4	-	DC (24V)	3RH11 40-1KB40
	3	1		3RH11 31-1KB40
	2	2		3RH11 22-1KB40

— Coil codes — To be substituted for 10th and 11th position
AC : B0 - 24V 50/60Hz, F0 - 110V 50/60Hz, P0 - 230V 50/60Hz, V0 - 400V 50/60Hz
DC : B4 - 24V, F4 - 110V, M4 - 220V

3RT10 low consumption coil contactors

Rated control supply voltage U_s = 24 V DC, Coil operating range 0.7 to 1.25xU_s
Power Consumption of the coils 2.3W for S00 & 4.2W for S0. No auxiliary contacts for S00 can be mounted and 2 single pole auxiliary contact for S0 can be mounted.

AC-2 & AC-3 Operation current I _e upto 415V	Rating of induction motor at 50 Hz and 415V	Auxillary contacts		Type
A	kW	NO	NC	
Size S00				
7	3	1	--	3RT10 15-1KB41
		--	1	3RT10 15-1KB42
9	4	1	--	3RT10 16-1KB41
		--	1	3RT10 16-1KB42
12	5.5	1	--	3RT10 17-1KB41
		--	1	3RT10 17-1KB42
Size S0				
12	5.5	--	--	3RT10 24-1KB40
17	7.5	--	--	3RT10 25-1KB40
25	11	--	--	3RT10 26-1KB40



Selection and ordering data

3RT14 AC1 duty contactor

SIZE	AC-1 Operational current I _e upto 690V A	Electromagnetic coil operating mechanism	Type
S3	140	AC DC	3RT14 46-1A..0 3RT14 46-1B..0
S6	275	AC/DC	3RT14 56-6A.36
S10	400	AC/DC	3RT14 66-6A.36
S12	690	AC/DC	3RT14 76-6A.36

— Coil codes

For S3 — To be substituted for 10th and 11th position

AC : C2 - 24V 50/60Hz, G2 - 110V 50/60Hz, L2 - 230V 50/60Hz, V0 - 400V 50Hz

DC : B4 - 24V, F4 - 110V, M4 - 220V

For S6 to S12 — To be substituted for 10th position

AC(40-60Hz) / DC : B — 23—26V, F — 110—127V, P — 220—240V



3RT13 4-Pole contactor

SIZE	AC-1 Operational current I _e upto 690V A	Electromagnetic coil operating mechanism	Type
S00	18/16	AC DC	3RT13 16-1A..0 3RT13 16-1B..0
S00	22/20	AC DC	3RT13 17-1A..0 3RT13 17-1B..0
S0	35/30	AC DC	3RT13 25-1A..0 3RT13 25-1B..0
S0	40/35	AC DC	3RT13 26-1A..0 3RT13 26-1B..0
S2	60/55	AC DC	3RT13 36-1A..0 3RT13 36-1B..0
S3	110/100	AC DC	3RT13 44-1A..0 3RT13 44-1B..0
S3	140/120	AC DC	3RT13 46-1A..0 3RT13 46-1B..0

Coil codes — To be substituted for 10th and 11th position

AC : B0 - 24V 50/60Hz, D0 - 42V 50/60Hz, F0 - 110V 50/60Hz, P0 - 230V 50/60Hz, V0 - 400V 50Hz

DC : B4 - 24V, F4 - 110V, M4 - 220V



3RT15 2NO+2NC contactor

SIZE	AC-1 Operational current I _e upto 690V A	Electromagnetic coil operating mechanism	Type
S00	18	AC DC	3RT15 16-1A..0 3RT15 16-1B..0
S00	22	AC DC	3RT15 17-1A..0 3RT15 17-1B..0
S0	40	AC DC	3RT15 26-1A..0 3RT15 26-1B..0
S2	55	AC DC	3RT15 35-1A..0 3RT15 35-1B..0

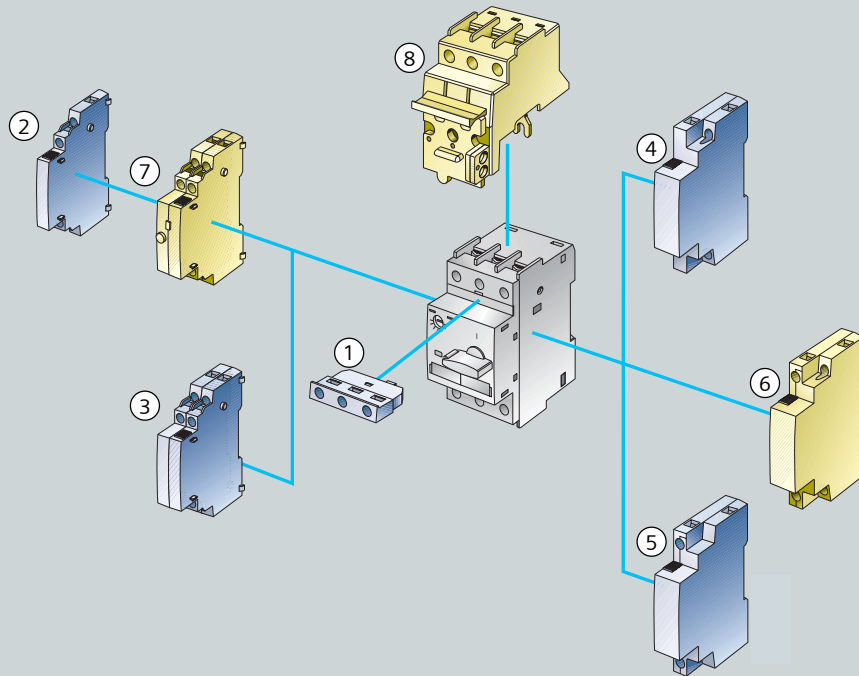
Coil codes — To be substituted for 10th and 11th position

AC : B0 - 24V 50/60Hz, D0 - 42V 50/60Hz, F0 - 110V 50/60Hz, P0 - 230V 50/60Hz, V0 - 400V 50Hz

DC : B4 - 24V, F4 - 110V, M4 - 220V

Accessories

Circuit breakers



	Version	For Size	Order No.
① Transverse auxiliary switch	1W 1NO + 1NC 2NO	S00, S0, S2, S3	3RV19 01-1D 3RV19 01-1E 3RV19 01-1F
② Transverse auxiliary switch with 2 contacts	1NO + 1NC 2NO 2NC	S00, S0, S2, S3	3RV19 01-1A 3RV19 01-1B 3RV19 01-1C
③ Transverse auxiliary switch with 4 contacts	2NO + 2NC	S00, S0, S2, S3	3RV19 01-1J
④ Shunt release	230 V AC	S00, S0, S2, S3	3RV19 02-1DP0
⑤ Undervoltage release	230 V AC	S00, S0, S2, S3	3RV19 02-1AP0
⑥ Undervoltage release with leading auxiliary switches	230 V AC	S00 S0, S2, S3	3RV19 12-1CP0 3RV19 22-1CP0
⑦ Signaling switch		S0, S2, S3	3RV19 21-1M
⑧ Isolator module		S0 S2	3RV19 28-1A 3RV19 38-1A

Version

For Size

Order No.

Insulated 3-phase busbar systems



3-phase busbars, modular spacing 45 mm
for 2 switches
for 3 switches
for 4 switches
for 5 switches

S00, S0

3RV19 15-1AB
3RV19 15-1BB
3RV19 15-1CB
3RV19 15-1DB



3-phase busbars, modular spacing 55 mm
for 2 switches
for 3 switches
for 4 switches

S2

3RV19 35-1A
3RV19 35-1B
3RV19 35-1C

3-phase line-side terminal,
connection from the top

S00
S0
S2

3RV19 15-5A
3RV19 25-5AB
3RV19 35-5A

Door-coupling rotary operating mechanisms

Black

Extension shaft
Extension shaft
with support bracket

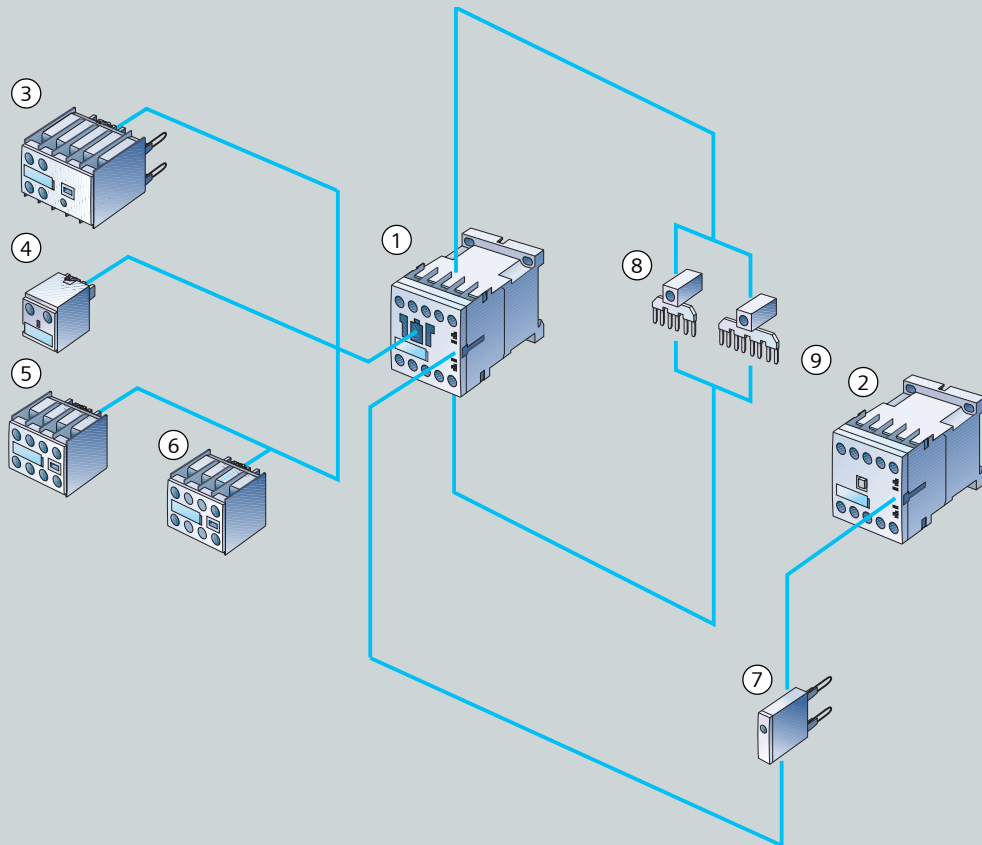
130 mm
330 mm

S0, S2, S3

3RV19 26-1B
3RV19 36-1B
3RV19 46-1B

Accessories

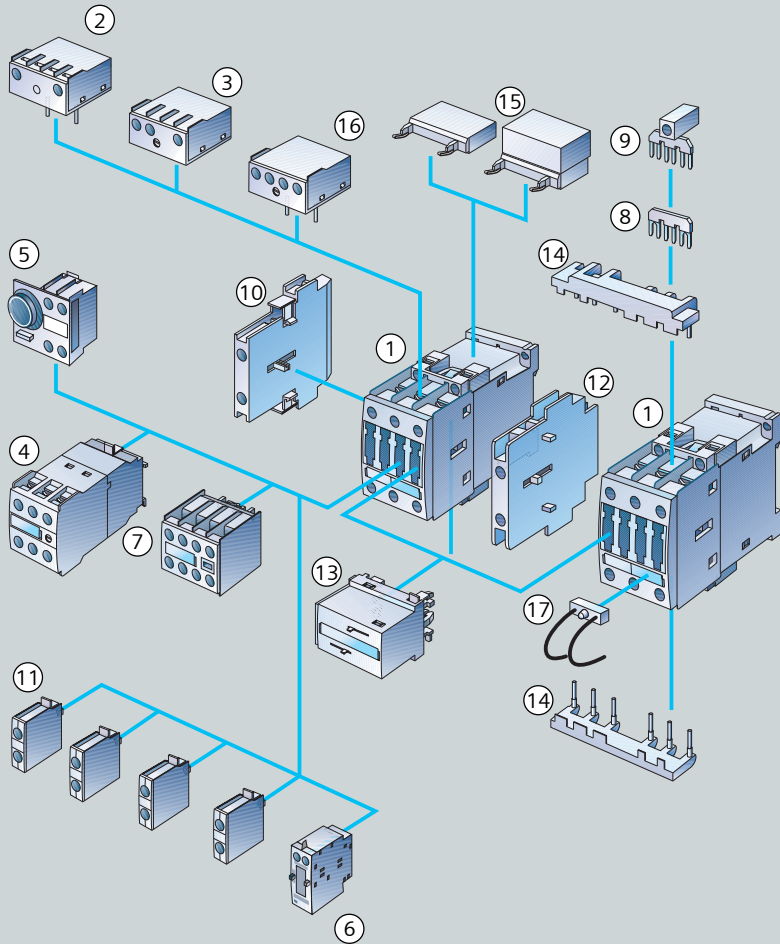
Contactors S00



	Version	Order No.
① Contactor (example) control supply voltage	4 kW/415 V, 1NO 230 V, 50/60 Hz	3RT10 16-1AP01
② Contactor relay (example) control supply voltage	4 kW/415 V, 1NO 230 V, 50/60 Hz	3RT10 16-1KB41
③ Solid-state timer 200 ... 240V AC 50/60 Hz ON delay OFF delay	0.5 – 10 s 0.5 – 10 s	3RT19 16-2ED21 3RT19 16-2FL21
④ 1-pole auxiliary switch block, cable entry from above	1NO 1NC	3RH19 11-1AA10 3RH19 11-1AA01
⑤ 4-pole auxiliary switch block, (terminal designations acc. to DIN EN 50 005)	2NO + 2NC	3RH19 11-1FA22
⑥ 2-pole auxiliary switch block, solid-state compatible design (acc. to DIN EN 50 005)	1NO + 1NC	3RH19 11-1NF11
⑦ Surge suppressor with LED (varistor)	127–240 V AC 12–24 V DC	3RT19 16-1JL00 3RT19 16-1JJ00
⑧ Link for paralleling, 3-pole, with terminal	–	3RT19 16-4BB31
⑨ Link for paralleling, 4-pole, with terminal	–	3RT19 16-4BB41

Accessories

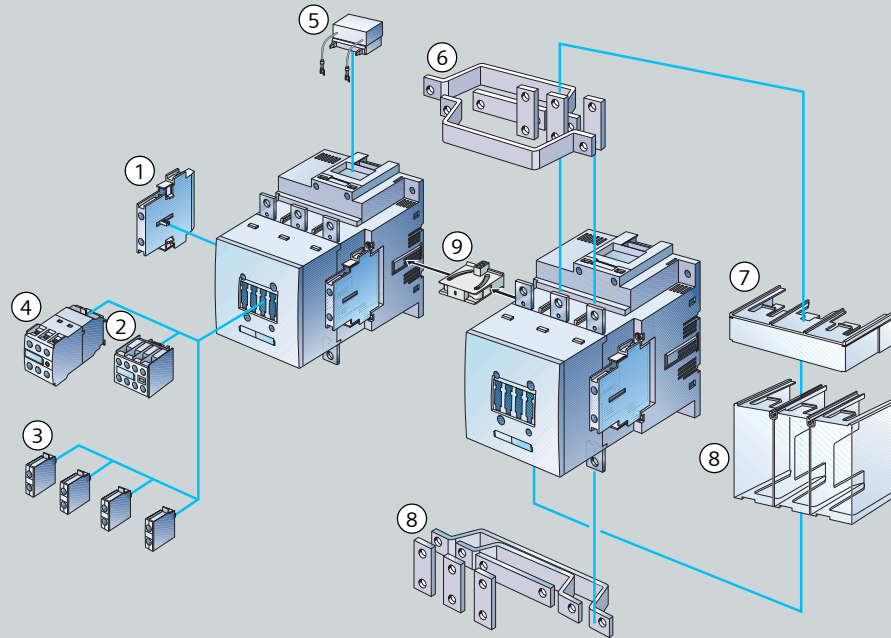
Contactors S0 – S3



	Version	For Size	Order No.
① Contactor, size S0 (example) control supply voltage	7.5 kW/415 V 230 V, 50 Hz		3RT10 25-1AC00
For sizes S0 to S3:			
② Solid-state timer with semi conductor output (90...240V 50/60 Hz), ON delay	0.5 – 10 s		3RT19 26-2CH21
③ Solid-state timer with semi conductor output (90...240V 50/60 Hz), OFF delay	0.5 – 10 s		3RT19 26-2DH21
④ Solid-state timer ON delay (200...240V 50/60 Hz) OFF delay (200...240V 50/60 Hz)	0.5 – 10 s 0.5 – 10 s		3RT19 26-2ED21 3RT19 26-2FL21
⑤ Pneumatic delay block ON delay OFF delay	0.1 – 30 s 1 – 60 s 0.1 – 30 s 1 – 60 s	S0 S0 S0 S0	3RT19 26-2PA01 3RT19 26-2PA11 3RT19 26-2PR01 3RT19 26-2PR11
⑥ Mechanical latching	24 AC/DC 110 AC/DC 230 AC/DC	S0, S2 S0, S2 S0, S2	3RT19 26-3AB31 3RT19 26-3AF31 3RT19 26-3AP31
⑦ 4-pole auxiliary switch block (terminal designations acc. to DIN EN 50 012 or DIN EN 50 005)	2NO + 2NC		3RH19 21-1FA22
⑧ Link for paralleling (star jumper), 3-pole, without terminal	–	S0 S2 S3	3RT19 26-4BA31 3RT19 36-4BA31 3RT19 46-4BA31
⑨ Link for paralleling, 3-pole, with terminal	–	S0 S2 S3	3RT19 26-4BB31 3RT19 36-4BB31 3RT19 46-4BB31
⑩ 2-pole auxiliary switch block, can be laterally mounted (left or right)	1NO + 1NC	S0 – S12	3RH19 21-1EA11
⑪ 1-pole auxiliary switch block (up to 4 can be snapped on)	1NO 1NC	S0 – S12 S0 – S12	3RH19 21-1CA10 3RH19 21-1CA01
⑫ Mechanical interlock, can be laterally mounted	–	S0 – S3	3RA19 24-2B
⑬ Mechanical interlock, can be mounted at the front	–	S0 – S3	3RA19 24-1A
⑭ Wiring connectors at the top and bottom (reversing operation)	– – –	S0 S2 S3	3RA19 23-2A 3RA19 33-2A 3RA19 43-2A
⑮ Surge suppressor (varistor, RC coupling, diode combination), can be mounted at the top or bottom	–	S0 – S3	3RT19 26-1BD00
⑯ Interface for mounting directly onto the contactor coil	–	S0 – S3	3RH19 24-1GP11
⑰ LED module to indicate contactor operation	–	S0 – S3	3RT19 26-1QT00

Accessories

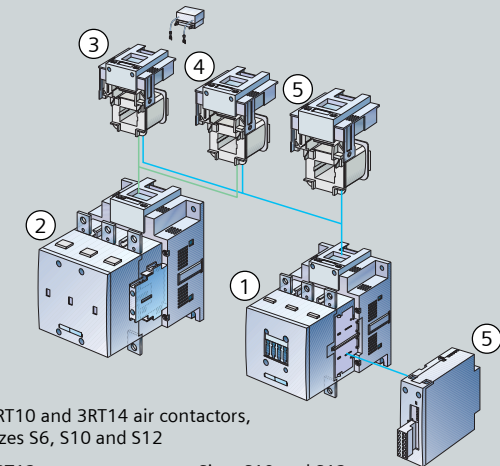
Contactors S6 – S12



	Version	Order No.
① 2-pole auxiliary switch block, can be laterally mounted – 2nd block (left/right), DIN EN 50 005	1NO + 1NC 2NO	3RH19 21-1KA11 3RH19 21-1KA20
② 4-pole auxiliary switch block, can be mounted at the front – with classification No. 5...8, DIN EN 50 012 – with classification No. 1...4, DIN EN 50 012	2NO + 2NC 2NO + 2NC	3RH19 21-1FA22
③ 1-pole auxiliary switch block, can be mounted at the front	1NO 1NC	3RH19 21-1CA10 3RH19 21-1CA01
④ Auxiliary switch block, solid-state time-delay – ON delay, 200–240 V AC – OFF delay, 200–240 V AC	1NO + 1NC 0 ... 10 s 0.5 ... 10 s	3RT19 26-2ED21 3RT19 26-2FL21

	Version	Order No.
⑤ RC element, 127 ... 240 V AC		3RT19 56-1CD00
⑥ Wiring connectors, top and bottom	for S6 for S10 for S12	3RA19 53-2M 3RA19 63-2A 3RA19 73-2A
⑦ Connection cover for box terminals	for S6 for S10/S12	3RT19 56-4EA2 3RT19 66-4EA2
⑧ Terminal cover for cable lug and busbar connection	for S6 for S10/S12	3RT19 56-4EA1 3RT19 66-4EA1
⑨ Mechanical interlock		3RA19 54-2A

Operating mechanism types



- ① 3RT10 and 3RT14 air contactors, Sizes S6, S10 and S12
- ② 3RT12 vacuum contactor, Sizes S10 and S12
- ③ Withdrawable coils for contactors with conventional operating mechanism 3RT1...-A..
- ④ Withdrawable coils for contactors with electronic operating mechanism 3RT1...-N..
- ⑤ Withdrawable coils and laterally mounted module (can be plugged in) for contactors with electronic operating mechanism and remaining lifetime signal 3RT1...-P.. and 2RT1...-Q

Size	3-phase motor AC-3/415 V kW	Contactor without coil Order No.	Withdrawable coil for operating mechanism	
			conventional control supply voltage 220 ... 240 V AC/DC Order No.	electronic 200 ... 277 V AC/DC Order No.
S6	55	3RT10 54-6LA06	3RT19 55-5AP31	3RT19 55-5NP31
	75	3RT10 55-6LA06		
	90	3RT10 56-6LA06		
S10	110	3RT10 64-6LA06	3RT19 65-5AP31	3RT19 65-5NP31
	132	3RT10 65-6LA06		
	160	3RT10 66-6LA06		
S12	200	3RT10 75-6LA06	3RT19 75-5AP31	3RT19 75-5NP31
	250	3RT10 76-6LA06		

Accessories

Accessories for 3RU11 thermal overload relays and 3RB20/21 electronic overload relays



Version	For Size	Order No.
Adapter for stand-alone assembly for 3RB20/21 for separately mounting the overload relays, screw-type and snap-on fastening on TH 35 DIN rails	S00	3RB29 13-0AA1
	S0	3RB29 23-0AA1



Version	For Size	Order No.
Terminal support for stand-alone assembly for 3RU11 for separately mounting the overload relays, screw-type and snap-on fastening on TH 35 DIN rails, size S3 also for TH 75 DIN rails	S00	3RU19 16-3AA01
	S0	3RU19 26-3AA01
	S2	3RU19 36-3AA01
	S3	3RU19 46-3AA01



Mechanical RESET for 3RU11 and 3RB20/21 comprising:		
① Resetting plunger, holder and former	S00 to S10/S12	3RU19 00-1A
② Pushbutton with extended stroke (12 mm), IP65, Ø 22 mm	S00 to S10/S12	3SB30 00-0EA11
Extension plunger for compensation of the distance between a pushbutton and the relay's release button	S00 to S10/S12	3SX1335



Cable release with holder for RESET 3RU11 and 3RB20/21		
for holes 6.5 mm diameter in the panel; max. panel thickness, 8 mm	length 400 mm	S00 to S10/S12 3RU19 00-1B
	length 600 mm	S00 to S10/S12 3RU19 00-1C

Version	For Size	Order No.
Sealable cover, transparent for 3RB20/21 to cover the setting elements	S00 to S10/S12	3RB29 84-0



Version	For Size	Order No.
Terminal covers for 3RU11 and 3RB20/21 Cover for cable lug and busbar connection	S3	3RT19 46-4EA1
	S6	3RT19 56-4EA1
	S10/S12	3RT19 66-4EA1



Version	For Size	Order No.
Cover for box terminals	S2	3RT19 36-4EA2
	S3	3RT19 46-4EA2
	S6	3RT19 56-4EA2
	S10/S12	3RT19 66-4EA2

Version	For Size	Order No.
Cover for the screw connection between the contactor and overload relay without box terminals (1x is required for each combination)	S6	3RT19 56-4EA3
	S10/S12	3RT19 66-4EA3



Version	For Size	Order No.
Box terminal block for round and ribbon cables	to 70 mm ²	S6 3RT19 55-4G
	to 120 mm ²	S6 3RT19 56-4G
	to 240 mm ²	S10/S12 3RT19 66-4G

Moulded-plastic enclosures for surface mounting

Enclosures for direct-on-line starter

Version	For contactor & overload relay Size	Order No.	Qty
With PE/ground terminal	S00	3RE19 13-1CB1	1
With N & PE/ground terminal	S0	3RE19 23-1CB2	1
With N & PE/ground terminal	S2	3RE19 33-1CB3	1



Enclosures for reversing starter

With N & PE/ground terminal	S00/S0	3RE19 13-2CB3	1
-----------------------------	--------	---------------	---



Your partners

WEST

Offices:

- **Ahmedabad** - 380009
3rd Floor, Prerna Arbour
Girish Cold Drinks Cross Roads
Off. C. G. Road
☎ : +91 79 40207600
Fax: +91 79 40207699
- **Mumbai** - 400018
130, Pandurang Budhkar Marg, Worli
☎ : +91 22 24987000-02
Fax: +91 22 24987312
- **Nagpur** - 440010
5th Floor, Landmark Building, Ramdas Peth
☎ : +91 712 6633000
Fax: +91 712 6633111
- **Pune** - 411016
Tower B / 701 - 705, ICC Trade Tower
403A, Senapati Bapat Road
☎ : +91 20 2570 6000
Fax: +91 20 2570 6060

Territory managers :

- **Aurangabad** - 431210
A9, Yogeshwari Vrundavan
Nr. Malhar Chowk, Garkheda Parisar
Prerna Nagar
Mobile: +91 9766316446
E-mail: santosh.rajhans@siemens.com
- **Baroda** - 390007
1st Floor, Vanijiya Bhavan, Race Course Road
☎ : +91 265 2325810 / 12, 6692110
Mobile: +91 98255 06963
E-mail: sreejaganath.mohanta@siemens.com
- **Bhilai** - 490001
C/o Mr. S.H. Siddiqui
Sector -1, Street -9, Quarter No. 1A
Mobile: +91 9826127525
E-mail: sandeep.barde@siemens.com
- **Indore** - 452001
521, Suniket Apartments
Shri Nagar Extension, Khajrana Main Road
Mobile: +91 98266 41970
E-mail: vineet.saxena@siemens.com
- **Kolhapur** - 416001
B-7, Mahagaonkar Complex
1147/E, Rajaram Road, Opp. Kamala College
☎ : +91 231 2536626
Mobile: +91 9822558876
E-mail: amol.pandit@siemens.com

- **Nashik** - 422101
8B, Shubhamangal Apartment
Chavan Mala, Nasik Road
Mobile: +91 9822193204
E-mail: nitinkumar.deshpande@siemens.com
- **Rajpur** - 492007
Flat No. 103, First Floor, Block B
Shilp Enclave, Near LAS Colony
Shankar Nagar
Mobile: +91 9425057945
E-mail: brajesh.rathor@siemens.com
- **Rajkot** - 360005
D-3 Aalap Century, University Road
Mobile: +91 98255 06962
E-mail: bhushan.sawant@siemens.com
- **Surat** - 395004
59, Ground Floor, Shreejinagar Part-1
Dhabholi Char Rasta, Ved Road, Katargam
Mobile: +91 99250 01779
E-mail: chandrakant.keshrani@siemens.com
- **Vapi** - 396195
Flat No. 302, Samrajaya IV
Royal Residency, Charwada Road
☎ : +91 260 6451156
Mobile: +91 98251 47957
E-Mail: siemens_vapi@sancharnet.in

SOUTH

Offices:

- **Bangalore** - 560001
1st Floor, Jyothimahal, #49, St. Marks Road
☎ : +91 80 22042000
Fax: +91 80 22224131
- **Chennai** - 600034
4, Mahatma Gandhi Road
☎ : +91 44 28334000
Fax: +91 44 28334088
- **Coimbatore** - 641018
7th Floor, East Wing, Global Towers
1057, Avinashi Road
☎ : +91 422 4336300
Fax: +91 422 4336310
- **Hyderabad** - 500004
5-9-19, Lakshmi Narsinh Estate, 4th Floor
Secretariat Road, Opp. Secretariat, Saifabad
☎ : +91 40 23482500
Fax: +91 40 23243145

Territory managers :

- **Belgaum** - 590003
H/No 713, Narvekar Lane
Shahapur, Karnataka
☎ & Fax: +91 831 2495156
Mobile: +91 9740277991
E-mail: anand.gawade@siemens.com
- **Cochin** - 682016
K.G. Oxford Business Centre
39/4609, 3rd Floor, Sreekanthad Road
Ravipuram
☎ : +91 484 4028611/22/33/44
Fax: +91 484 2380201
E-mail: sajeen.s@siemens.com
- **Madurai** - 625010
8/12, Ground Floor
Sakthi Vellammal Street, S.S.Colony
☎ : +91 452-2601751
Mobile: +91 98946 17780
- **Pondicherry** - 605001
32, Second Floor, St. Theresa Street
☎ & Fax: +91 413 4500101
Mobile: +91 9840472727
E-mail: elankumarak.pandian@siemens.com
- **Salem** - 636 008
3/25, Santhosh Nagar, PACB Back Side
Chinnathirupathi
Mobile: +91 98946 17772
E-mail: rubengerald@yahoo.com
- **Tiruchirappalli** - 620017
T3, Illrd Floor, Vishranthi Daffodils Apartments
Opp: Friends Eye Hospital, Puthur
☎ : +91 431 4030390
Fax: +91 431 4030390
Mobile: +91 9444911221
E-mail: Akhilesh.Nair@siemens.com
- **Trivandrum**
Skyline City Villa, House No-8, Vetamukku
Mobile: +91 98959 79604
E-Mail: jonsa_82@yahoo.com
- **Vijayawada** - 520010
G-2, Shreya Towers, Moghalrajapuram
Near Jammichettu Centre
☎ : +91 866 6629933
Mobile: +91 9866463639
E-mail: santosh.p@siemens.com
- **Visakhapatnam** - 530003
B4, Mount Moriah Residency
Waltair Uplands
☎ : +91 891 2712535
Mobile: +91 98492 12555
E-mail: siemensvizag@rediffmail.com

NORTH

Offices:

- **Chandigarh** - 160017
SCO 189 - 191, 3rd Floor, Sector 17C
☎ : +91 172 4690300
Fax: +91 172 4690399
- **Lucknow** - 226001
28/45, Ashok Marg, Opposite Indira Bhawan
☎ : +91 522 4031022, 4031000
Fax : +91 522 4031019
- **New Delhi** - 110002
4A, Ring Road, I.P. Estate
☎ : +91 11 42995000-09
Fax: +91 11 42995030

Territory managers :

- **Bareilly** - 243001
Flat No. T1, 129, Civil Lines
Mobile: +91 9897019061
E-mail: siemens.bly@gmail.com
- **Dehradun** - 248001
122, Ashok Vihar, Lane No.1, Ajabpur Kalan
Mobile: +91 97600 33117
E-mail: manish.bajpai@siemens.com
- **Faridabad** - 121006
House No. 237, Sector 8, Faridabad
Mobile: +91 9873696350
E-mail: ramit.mehra@siemens.com
- **Gurgaon** - 122001
117-C, First Floor, Sector-30
Behind Jalvayu Vihar
Mobile: +91 99710 91588
Email: siemens.ggn@gmail.com
- **Hardwar** - 249407
758, 1st Floor, Model Colony
Awasthi Vikas, Jwalapur
Fax: +91 1334 - 265491
Mobile: +91 9897070133
E-mail: naveen.khare@siemens.com
- **Jalandhar** - 144001
H. No. 448R, First Floor, Pushpa Niwas
Near Geeta Mandir, Model Town, Punjab
Mobile: +91 9779194445
E-mail: ankush.saini@siemens.com
- **Jodhpur** - 342008
371, Gouri House
Kamala Nehru Nagar, Near SBI Bank
☎ : +91 291 2760371
Mobile: +91 98283-27200
E-mail: Naveen.sahariya@siemens.com

- **Kota** - 324002
48, Model Town, Khedli Pkatak, Rajasthan
☎ : +91 744 2340523
Mobile: +91 9784842605
E-mail: ajit.parashar@siemens.com
- **Ludhiana** - 141009
H.No.3127, Urban Estate
Sector 38, Chandigarh Road
Mobile : +91 9876047929
E-mail: sunil.singla@siemens.com
- **Ludhiana** - 141004
H. No. 281, 1st Floor, E Block, B.R.S. Nagar
Mobile: +91 9872000936
E-Mail: singh.harpal@siemens.com
- **Ludhiana** - 141004
H.No. 3996, 1st Floor, Sector 32A
Urban Estate, Chandigarh Road
☎ & Fax: +91 161-5017741
Mobile: +91 9815130172
E-Mail: nitinbansal@siemens.com
- **Jaipur** - 302006
6, Park Street, Opp. Pink City Petrol Pump
M.I. Road, Rajasthan
Mobile: +91 141 2370274, 2377956
Fax: +91 141 2370482
Mobile: +91 9829244313
E-mail: peeush.gupta@siemens.com
- **Kanpur** - 208013
106, Agarwal Apartments
Near Hari Har Dham Mandir
Shyam Nagar, Uttar Pradesh
☎ & Fax: +91 512 2423348
Mobile: +91 9839102434
E-mail: siemens_knp@satyam.net.in
- **Renukoot** - 231217
Above ICICI Prudential Office, Patel Nager
Murdhawa, Distt. Sonbhadra, U.P.
Mobile: +91 9838007897
E-mail: siemens_upeast@sify.com
- **Udaipur** - 313001
303, Oasis Park, PP singhal Marg
Ambavgarh
☎ : +91-294-2430345
Fax: +91-294-2430345
Mobile: +91 9829039120
E-mail: ankur.singh@siemens.com

EAST

Offices:

- **Kolkata** - 700042
43 Shanti Palli, R B Connector
Eastern Metropolitan Bypass
☎ : +91 33 24449000, 24428641-47
Fax: +91 33 24449010 / 13

Territory managers :

- **Bhubaneswar** - 751002
109, Harapriya Apartment
Vivekananda Marg
☎ : +91 674 3200627
Mobile: +91 9937009749
E-mail: anirban.aditya@siemens.com
- **Bhubaneswar** - 751013
Flat No. - E 303, "Jyotsna Enclave"
(Beside Hotel Mayfair) Jaydev Vihar
Mobile: +91 9337058366
E-mail: shounak.pal@siemens.com
- **Durgapur** - 713216
4/6, Matangini Hazra Bithi
Ground Floor, City Center
☎ : +91 343 2605286
Mobile: +91 9830185007
E-mail: sourav.paul@siemens.com
- **Guwahati** - 781003
G1, Hill View Apartment, Navagraha Path
Chenikuthi Hill Side
☎ : +91 361 2663988
Mobile: +91 9864037562, 9864110684
E-mail: amarnath.karmakar@siemens.com,
biplab.datta@siemens.com
- **Jamshedpur** - 831005
823, Udaygiri, Vijaya's Heritage, Ulyan, Kadma
☎ : +91 657 6451637
Mobile: +91 9934311352
E-mail: shaibal.parial@siemens.com
- **Ranchi** - 834001
Flat No. 403, Rishab Tower
Near Line Tank, Behind Firayalels
E-mail: sourav.dasgupta@siemens.com
- **Rourkela** - 769004
T-15 Civil Town
☎ : +91 661 2401724
Mobile: +91 9437041724
E-mail: sanjoy.ganguly@siemens.com
- **Sambalpur** - 768 004
Pradhan Para, Near Jamkani Mandir
Back Side of LIC Div Off, Airhapali, Orissa
☎ : +91 663 2541258
Mobile: +91 094385 29778
E-mail: samir.chintak@siemens.com

Siemens Ltd. Automation and Drives Division

LV Control & Distribution Products

Thane Belapur Road

Thane 400601

Fax: +91 22 27623729

E-mail: lvsgmktg.india@siemens.com

Order No.: 102127346

Customer Care Toll free no. 1800 220 987. Email: adscs.india@siemens.com

Siemens Ltd.
SGR-01-103-049

Product upgradation is a continuous process. Hence, data in this catalog is subject to change without prior notice. For the latest information, please get in touch with our Sales Offices.