

Control at your finger tips



3SB5 Indicating Lamps and Push buttons

Answers for industry.

SIEMENS

Commanding and Signaling 3SB5



Special attention has to be paid to the interaction between man and machine. Fault sources and system disturbances must be signaled reliably – and as early as possible. And if things do get critical – the top priority is to safely and quickly stop machines and bring systems offline. Our extensive range of 3SB5 commanding and signaling devices is designed to meet the challenge. Push button actuators, selector actuators, key actuators, compact & modular indicators... our 3SB5 pilot devices let you handle every situation confidently.

Application

The 3SB5 range of pilot devices is eminently suitable for installation in any control and auxiliary circuit, AC or DC. Packed with user-oriented features, the 3SB5 pushbuttons and lamps are a practical state-of-the-art answer to the Indian customer's search for higher contact reliability, increased operator safety, reduced labour input (faster mounting and wiring), electronics compatibility and compactness plus IP65/67 degree of protection. The availability of 2 separate models – the rear wire connection type for panel mounting application and the ultra-compact front wire connection type for push button stations with removable covers render the 3SB5 devices ideal for panels, control desks, control stations, machine tools, etc.

Range

Pushbutton Actuators:
Normal, Raised (opaque / illuminated)

Selector Actuators:
2-position, 3-position
(maintained / momentary, opaque / illuminated)

Indicating Lamps:
LED, BA9s filament lamp

Key Actuators:
2 position and 3 position (maintained / momentary)

**Mushroom Actuators &
E-Stop Actuators**

Push Button Station:
Metal, Plastic

Benefits

Contact reliability

3SB5 contact block is an ideal component in control systems, where contact reliability at low voltage is essential as in cases involving PLCs, DCS systems, CNC systems, etc.

Thanks to the "double break parallel bridge contact system", 3SB5 offers guaranteed continuity at voltage as low as 17V DC and signal strength as low as 5mA.

SIGUT® Termination

This is yet another unique feature and is highly user-oriented. It increases safety to the operator by preventing accidental contact of the finger or the back-of-the-hand with live terminals. A major hazard has therefore been eliminated. The open terminals, captive screws, funnel-shaped cable entrances and guides for power screw drivers reduce wiring / testing time (electrician's time) by approximately 30%.

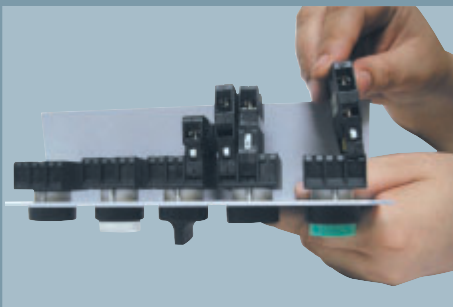
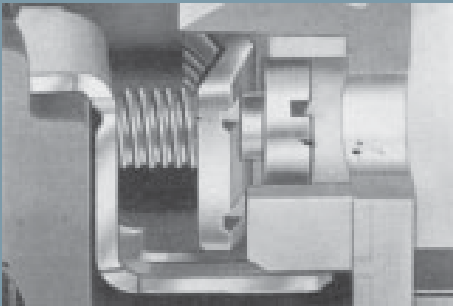
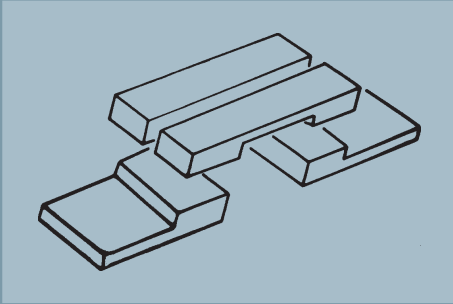
Snap mounting

The actuators, lens assemblies are mounted on the panel door / housing cover into a holder and twist-latched into it. The holder is secured to the panel door / housing cover by means of two screws.

The snap mounting facility minimises labour and significantly reduces installation time. For rear connection models, contact blocks and lamp holders can be mounted without a screw driver.

Other benefits

- **Compact contact block** design of 3SB5 makes it a preferred choice for applications where there are limitations on panel depth e.g. marine applications, machine tool panels etc. For a contact block housing a single contact (1 NO or 1 NC) the depth is just 20 mm.!
- **Easy identification** for contact blocks is possible due to the colour coding. In case of 3SB5 compact indicating lamps the colour of housing is same as that of the lens assembly. This helps in easy stocking/identification.
- **Built in low voltage glow protection:** The LED pilot lights are essentially Light Emitting Diodes which start glowing at low voltages as low as 4V. Such glow at low voltages (typically caused by residual voltage due to leakage currents) can lead to erroneous interpretation. The 3SB5 LED indicating lamps are provided with low voltage glow protection (LVGP). This eliminates the possibility of any false indication due to leakage voltage or current.
- **Built in surge suppressors:** 3SB5 LED pilot lights are provided with an in-built "surge suppressor". This helps in protecting sensitive electronic devices such as PLC, DCS systems, CNC systems, etc. from switching over voltage.



Technical Data

Pushbuttons and indicating lamps




Rated insulation voltage U_i	All executions except lamp holder	AC 690V, 50Hz
	BA9s lamp holder	AC 250V, 50Hz; DC 250V
	Illumination module with integrated LED / Compact Pilot Light	AC 440V, 50Hz; DC 250V
Rated operational voltage U_e	For contact blocks	660V, 50Hz
	For Illumination modules with integrated LED	24V AC/DC, 110V AC, 110V DC, 230V AC, 220V DC
	For Illumination modules with BA9s LED lamp	24V AC/DC, 110V AC/DC, 240V AC
	For Illumination modules with BA9s filament lamp	24V AC/DC, 110V AC/DC, 230V AC/DC
	For Compact LED indicating lamps	24V AC/DC, 110V AC, 110V DC, 220/240V AC, 220V DC
	For compact BA9s filament indicating lamp Wide band LED indicating lamp	24V AC/DC, 110V AC/DC, 230V AC/DC 42V to 240V AC & 42V to 220V DC
Back-up HRC fuse rating	16A quick acting cartridge	
	10A delayed acting cartridge	
Mechanical life	All actuators (except the following)	10×10^6 cycles
	Luminous actuators	3×10^6 cycles
	Selector, key and latched mushroom actuator	3×10^5 cycles
Electrical life	Depends on load current e.g. 10×10^6 cycles with 3TH30, 3TF30/31 contactors	
Illumination	Wide band LED	100 lux minimum
	Discrete voltage and LED and BA9s filament lamps	300 lux minimum
Switching frequency	1200 cycles per hour	
Degree of protection	Pushbuttons & Indicating Lamps	Standard execution - IP65 With protective cover - IP67
	Terminals of contact blocks and illumination modules	Standard execution - IP20
Permissible service temperature range	-25°C to +60°C	
Terminal capacity	Finely stranded cable with end sleeves	2×0.5 to 1.5 mm^2
	Solid conductor	2×1 to 2.5 mm^2
	Solid conductor with end sleeves	2×0.5 to 0.75 mm^2
	Finely stranded cable with end sleeves	2×1 to 1.5 mm^2 (for compact variants)


Continuous current, rated operational current I_e, contact blocks					
I_e /AC 12 A	I_e /AC 15 A	U_e Volts (40-60 Hz)	I_e /DC 12 A	I_e /DC 13 A	U_e Volts DC
10 A	6 A	24V	10 A	6 A	24V
	6 A	110V	8 A	4 A	48V
	6 A	220/230V	3.5 A	1.2 A	110V
	4 A	380/400V	1 A	0.4 A	220V


Contact block / Illumination module configuration					
Actuator - Illuminated Push button and selector	Voltage	Max. possible lamp holders (lamp holder always in middle position)	Max. possible contact blocks (1st block-left, 2nd-right, 3rd-middle)		Accessory to operate middle contact block (Order separately & snap-fit on actuator)
			Rear connection	Front connection	
With BA9s LED	24V AC/DC	1	2	2	Not applicable
	110V AC/DC,	1	1	1	
	240V AC	1	1	1	
With BA9s Filament lamp	24V AC/DC	1	2	2	Not applicable
	110V AC/DC,				
	230V AC				
Integrated LED	24V AC/DC, 110V AC	1	2	-	Not applicable
	230V AC				
Actuator / Opaque					
Push button	-	-	3	3	Thrust cap
Selector	-	-	3	3	Thrust pad
Key	-	-	3	3	Thrust pad
Mushroom - momentary	-	-	3	3	Thrust cap

Indicating Lamps


Compact LED indicating lamps					
	Voltage	Colour	Type ref		
	24 V AC/DC	R	3SB52 85-6HC01		
		G	3SB52 85-6HE01		
		A	3SB52 85-6HL01		
		B	3SB52 85-6HF01		
		W	3SB52 85-6HG01		
	110 V AC 50/60 Hz	R	3SB52 85-6HC02		
		G	3SB52 85-6HE02		
		A	3SB52 85-6HL02		
		B	3SB52 85-6HF02		
		W	3SB52 85-6HG02		
		Y	3SB52 85-6HD02		
		C	3SB52 85-6HH02		
	110 V DC	R	3SB52 85-6HC04		
		G	3SB52 85-6HE04		
		A	3SB52 85-6HL04		
		B	3SB52 85-6HF04		
		W	3SB52 85-6HG04		
		Y	3SB52 85-6HD04		
		C	3SB52 85-6HH04		
			220/240 V AC 50/60 Hz	R	3SB52 85-6HC03
				G	3SB52 85-6HE03
				A	3SB52 85-6HL03
B	3SB52 85-6HF03				
W	3SB52 85-6HG03				
	220 V DC	Y	3SB52 85-6HD03		
		C	3SB52 85-6HH03		
		R	3SB52 85-6HC05		
		G	3SB52 85-6HE05		
		A	3SB52 85-6HL05		
		B	3SB52 85-6HF05		
		W	3SB52 85-6HG05		
		Y	3SB52 85-6HD05		
		C	3SB52 85-6HH05		


Compact BA9s FILAMENT indicating lamps			
	Voltage	Colour	Type ref
	24 V AC/DC	R	3SB52 86-6HC01
		G	3SB52 86-6HE01
		A	3SB52 86-6HL01
		B	3SB52 86-6HF01
		C	3SB52 86-6HH01
	110 V AC/DC	R	3SB52 86-6HC11
		G	3SB52 86-6HE11
		A	3SB52 86-6HL11
		B	3SB52 86-6HF11
		C	3SB52 86-6HH11
	230 V AC/DC	R	3SB52 86-6HC12
		G	3SB52 86-6HE12
		A	3SB52 86-6HL12
		B	3SB52 86-6HF12
		C	3SB52 86-6HH12


Compact indicating lamps w/o lamp (use with BA9s filament lamp of appropriate voltage)		
	Colour	Type ref
	R	3SB52 86-6HC00
	G	3SB52 86-6HE00
	A	3SB52 86-6HL00
	B	3SB52 86-6HF00
	C	3SB52 86-6HH00


Wide band LED PILOT Lamps			
	Voltage	Colour	Type ref
	42 to 240 V AC & 50/60 Hz 42 to 220 V DC	R	3SB52 35-6HC10
		G	3SB52 35-6HE10
		A	3SB52 35-6HL10
		B	3SB52 35-6HF10
		W	3SB52 35-6HG10
		Y	3SB52 35-6HD10
		C	3SB52 35-6HH10

Illumination modules

BA9s LED			
	Voltage	Colour	Type ref
	24 V AC/DC	R	3SB54 00-8CC
		G	3SB54 00-8CE
		B	3SB54 00-8CF
		Y	3SB54 00-8CD
	110 V AC/DC	R	3SB54 00-8FC
		G	3SB54 00-8FE
		B	3SB54 00-8FF
	240 V AC	Y	3SB54 00-8FD
		R	3SB54 00-8SC
		G	3SB54 00-8SE
		B	3SB54 00-8SF
		Y	3SB54 00-8SD

BA9s Filament		
	Voltage	Type ref
	24 V AC/DC (24 V lamp)	3SB54 00-6CC
	110 V AC/DC (130 V lamp)	3SB54 00-6FH
	230 V AC/DC (130 V lamp)	3SB54 00-6LH

Lens assembly with holder (for modular indicating lamps)				
	Colour	Type ref	Colour	Type ref
	R	3SB52 01-6BC00	W	3SB52 01-6BG00
	G	3SB52 01-6BE00	Y	3SB52 01-6BD00
	A	3SB52 01-6BL00	C	3SB52 01-6BH00
	B	3SB52 01-6BF00		

Integrated LED						
	Voltage	Colour	Type ref	Voltage	Colour	Type ref
	24 V AC/DC	R	3SB54 00-7CC			
		G	3SB54 00-7CE			
		A	3SB54 00-7CL			
		B	3SB54 00-7CF			
		W	3SB54 00-7CG*			
	110 V AC	Y	3SB54 00-7CD	110 V DC	R	3SB54 00-7DC
		R	3SB54 00-7EC		G	3SB54 00-7DE
		G	3SB54 00-7EE		A	3SB54 00-7DL
		A	3SB54 00-7EL		B	3SB54 00-7DF
		B	3SB54 00-7EF		W	3SB54 00-7DG*
220/ 240 V AC	W	3SB54 00-7EG*	220 V DC	Y	3SB54 00-7DD	
	Y	3SB54 00-7ED		R	3SB54 00-7HC	
	R	3SB54 00-7TC		G	3SB54 00-7HE	
	G	3SB54 00-7TE		A	3SB54 00-7HL	
	A	3SB54 00-7TL		B	3SB54 00-7HF	
	B	3SB54 00-7TF		W	3SB54 00-7HG*	
	W	3SB54 00-7TG*		Y	3SB54 00-7HD	

* Can be used with clear lens.

Actuators

Modular pushbutton actuators



Actuator with holder - Opaque

	Colour	Type Ref.		Colour	Type Ref.
Normal	R	3SB50 00-0AC01	Raised	R	3SB50 00-0LC01
	G	3SB50 00-0AE01		G	3SB50 00-0LE01
	B	3SB50 00-0AF01		B	3SB50 00-0LF01
	W	3SB50 00-0AG01		W	3SB50 00-0LG01
	Y	3SB50 00-0AD01		Y	3SB50 00-0LD01
	BLK	3SB50 00-0AB01		BLK	3SB50 00-0LB01



Actuator with holder - Illuminated

	Colour	Type Ref.		Colour	Type Ref.
Normal	R	3SB50 01-0AC01-0PQ0	Raised	R	3SB52 18-0LC01-0PQ0
	G	3SB50 01-0AE01-0PQ0		G	3SB52 18-0LE01-0PQ0
	A	3SB50 01-0AL01-0PQ0		A	3SB52 18-0LL01-0PQ0
	B	3SB50 01-0AF01-0PQ0		B	3SB52 18-0LF01-0PQ0
	W	3SB50 01-0AG01-0PQ0		W	3SB52 18-0LG01-0PQ0
	Y	3SB50 01-0AD01-0PQ0		Y	3SB52 18-0LD01-0PQ0
	C	3SB50 01-0AH01-0PQ0		C	3SB52 18-0LH01-0PQ0

Modular selector actuators



2 POSITION - Opaque

3 POSITION - Opaque

	Colour	Type Ref.		Colour	Type Ref.
Maintained	BLK	3SB50 00-2AB01	Maintained	BLK	3SB50 00-2DB01
	R	3SB50 00-2AC01		R	3SB50 00-2DC01
Momentary	BLK	3SB50 00-2BB01	Momentary	BLK	3SB50 00-2EB01
	R	3SB50 00-2BC01		R	3SB50 00-2EC01



2 POSITION - Illuminated

3 POSITION - Illuminated

	Colour	Type Ref.		Colour	Type Ref.
Maintained	R	3SB50 01-2AC01	Maintained	R	3SB50 01-2DC01
	G	3SB50 01-2AE01		G	3SB50 01-2DE01
	B	3SB50 01-2AF01		B	3SB50 01-2DF01
	Y	3SB50 01-2AD01		Y	3SB50 01-2DD01
	C	3SB50 01-2AH01		C	3SB50 01-2DH01
Momentary	R	3SB50 01-2BC01	Momentary	R	3SB50 01-2EC01
	G	3SB50 01-2BE01		G	3SB50 01-2EE01
	B	3SB50 01-2BF01		B	3SB50 01-2EF01
	Y	3SB50 01-2BD01		Y	3SB50 01-2ED01
	C	3SB50 01-2BH01		C	3SB50 01-2EH01



Mushroom actuators 40 mm ø

Emergency stop 40 mm ø

Description	Colour	Type Ref.	Description	Colour	Type Ref.
Momentary	BLK	3SB50 00-1NB01	Push to trip, turn to release with 1NC	R	3SB52 03-0UC01
	R	3SB50 00-1NC01			
Push to trip, turn to release	BLK	3SB50 00-1CB01	Push to trip, turn to release	R	3SB50 00-0UC01
			Push to trip, pull to release	R	3SB50 00-0VC01
			Push to trip, key to release	R	3SB50 00-0TC01



Contact block for panel mounting

Configuration	Type Ref.
1 NO	3SB54 00-0B
1 NC	3SB54 00-0C
1 NO + 1 NC	3SB54 00-0A
2 NO	3SB54 00-0E
2 NC	3SB54 00-0F

Colour	R	G	A	B	W	Y	C	BLK
	Red	Green	Amber	Blue	White	Yellow	Clear	Black

Modular key actuator



2 Position key actuator (with holder for contact block)			3 Position key actuator (with holder for contact block)		
Maintained		3SB50 00-4AC01	Maintained		3SB50 00-4HA01
		3SB50 00-4AA01			3SB50 00-4HC01
		3SB50 00-4AB01			3SB50 00-4HB01
Momentary		3SB50 00-4TA01	Momentary		3SB50 00-4JA01
		3SB50 00-4TC01			

* Key removable position

Pushbutton stations



Metal enclosure : Aluminium die cast		
No. of control points	Description	Type Ref.
1	Normal opaque push button - Green with 1NO contact block, "START"	3SB58 01-8AA3
1	Red mushroom momentary actuator, with 1NC contact block, "STOP"	3SB58 01-8AN3
1	Red maintained mushroom actuator, turn to release, with 1NC contact block, "E-STOP"	3SB58 01-8AM3
2	Normal opaque push button - Green with 1NO contact block, "START" + Normal opaque push button - Red with 1NC contact block, "STOP"	3SB58 02-8AC3
2	Normal opaque push button - Green with 1NO contact block, "START" + Red mushroom-maintained with 1NC contact block, "STOP"	3SB58 02-8AE3
3	Normal opaque push button - Green with 1NO contact block, "START" + Normal opaque push button - Red with 1NC contact block, "STOP" + Normal opaque push button - Black with 1NO contact block, "REVERSE"	3SB58 03-8AH3



Plastic Enclosure		
No. of control points	Description	Type Ref.
1	Normal opaque push button - Green with 1NO contact block, "START"	3SB58 01-7AA3
1	Red mushroom momentary actuator, with 1NC contact block, "STOP"	3SB58 01-7AN3
1	Red maintained mushroom actuator, turn to release, with 1NC contact block, "E-STOP"	3SB58 01-7AM3
2	Normal opaque push button - Green with 1NO contact block, "START" + Normal opaque push button - Red with 1NC contact block, "STOP"	3SB58 02-7AC3
2	Normal opaque push button - Green with 1NO contact block, "START" + Red mushroom-maintained with 1NC contact block, "STOP"	3SB58 02-7AE3
3	Normal opaque push button - Green with 1NO contact block, "START" + Normal opaque push button - Red with 1NC contact block, "STOP" + Normal opaque push button - Black with 1NO contact block, "REVERSE"	3SB58 04-7AG3



Contact blocks base mounting	
Configuration	Type Ref.
1NO	3SB54 200B
1NC	3SB54 200C



Illumination module base mounting	
Configuration	Type Ref.
Lamp Holder with Lamp 110V AC/DC	3SB54 20-2PF0
Lamp Holder with Lamp 230V AC/DC	3SB54 20-2PL0



Pendant mounting : Aluminium die cast		
No. of control points	Description	Type Ref.
2	Normal opaque push button - Green with 1NO contact block, "START" + Normal opaque push button - Red with 1NC contact block, "STOP"	3SB58 22-8AC3
3	Normal opaque push button - Green with 1NO contact block, "START" + Normal opaque push button - Red with 1NC contact block, "STOP" + Normal opaque push button - Black with 1NO contact block, "REVERSE"	3SB58 23-8AH3

Your partners

Sales offices:

Ahmedabad

3rd Floor, Prerna Arbour
Girish Cold Drinks Cross Roads, Off. C. G. Road
Ahmedabad - 380009
☎ : +91 79 40207600
Fax: +91 79 40207699

Bangalore

1st Floor, Jyothimahal, #49, St. Marks Road
Bangalore - 560001
☎ : +91 80 22042000
Fax: +91 80 22224131

Chandigarh

SCO 189 - 191, 3rd Floor, Sector 17C
Chandigarh - 160017
☎ : +91 172 4690300
Fax: +91 172 4690399

Territory managers :

Aurangabad

A9, Yogeshwari Vrundavan
Nr. Malhar Chowk, Garkheda Parisar, Prema Nagar
Aurangabad - 431210, Maharashtra
Mobile: +91 9766316446
E-mail: santosh.rajhans@siemens.com

Bareilly

Bareilly - 243001, Uttar Pradesh
Mobile: +91 9415012500
E-mail: saket.dwivedi@siemens.com
Mobile: +91 9897070133
E-mail: naveen.khare@siemens.com

Baroda

1st Floor, Vaniiya Bhavan, Race Course Road
Baroda - 390007, Gujarat
☎ : +91 265 2325810/12, 6692110
Mobile: +91 9825506963
E-mail: ankur.chokshi@siemens.com

Belgaum

H.No.713, Narvekar Lane, Shahpur
Belgaum - 590003, Karnataka
☎ & Fax: +91 831 831 2495156
Mobile: +91 9740277991
E-mail: anand.gawade@siemens.com

Bhilai

C/o Mr. S.H Siddiqui
Sector-1, Street-9, Quarter No 1A
Bhilai - 490001, Chhattisgarh
Mobile: +91 9826127525
E-mail: sandeep.barde@siemens.com

Bhubaneswar

109, Harapriya Apartment, Vivekananda Marg
Bhubaneswar - 751002, Orissa
☎ : +91 674 2430734
Mobile: +91 9937009749
E-mail: anirban.aditya@siemens.com
Mobile: +91 9937097504
E-mail: sumit.sengupta@siemens.com

Calicut

Dist : Kozhikode, Calicut - 673001, Kerala
Mobile: +91 9895052944
E-mail: sreekanth.p@siemens.com

Cochin

KG Oxford Busienss Centre
39/4609, Third Floor, SreekanadathRoad, Ravipuram
Cochin - 682016, Kerala
☎ : +91 484 4028611, 22
Fax: +91 484 2380201
Mobile: +91 9744511109
E-mail: sajeen.s@siemens.com

Deharadun

122, Vihar Lane No 1, Ajabpur Kalan
Deharadun - 248001, Uttaranchal
Mobile: +91 9760033117
E-mail: manish.bajpai@siemens.com

Durgapur

4/6, Matangini Hazra Bithi, Ground Floor, City center
Durgapur - 713216, West Bengal
☎ : +91 343 2605286
Mobile: +91 9830185007
E-mail: sourav.paul@siemens.com

Chennai

4, Mahatma Gandhi Road, Chennai - 600034
☎ : +91 44 28334000
Fax: +91 44 28334088

Coimbatore

7th Floor, East Wing, Global Towers
1057, Avinashi Road, Coimbatore - 641018
☎ : +91 422 4336300
Fax: +91 422 4336310

Hyderabad

5-9-19, Lakshmi Narsinh Estate, 4th Floor
Secretariat Road, Opp. Secretariat, Saifabad
Hyderabad - 500004
☎ : +91 40 23482500
Fax: +91 40 23243145

Faridabad

House No 237, Sector-B
Faridabad - 121006, Haryana
Mobile: +91 987396350
E-mail: ramit.mehra@siemens.com

Gurgaon

117-C, First Floor, Sector-30, Behind Jalvayu Vihar
Gurgaon - 122001, Haryana
Mobile: +91 9971091588
E-mail: siemens.ggn@gmail.com

Guwahati

G1, Hill View Apartment, Navagraha Path
Chenikuthi Hill Side, Guwahati - 781003, Assam
☎ : +91 361 2663988
Mobile: +91 9864037562
E-mail: sourav.bhattacharya@siemens.com
Mobile: +91 9864110684
E-mail: biplab.datta@siemens.com

Hardwar

758, 1st Floor, Model Colony, Awasi Vikas, Jwalapur
Hardwar - 249407, Uttarakhand
Mobile: +91 9897070133
Fax: +91 1334 265491
E-mail: naveen.khare@siemens.com

Indore

Indore - 452001, Madhya Pradesh
Mobile: +91 9823011883
E-mail: vineet.saxena@siemens.com

Jaipur

6, Park Street, Opp Pink City Petrol Pump, M.I.Road
Jaipur - 302006, Rajasthan
☎ : +91 141 2370274 / 2377956
Fax: +91 141 2370482
Mobile: +91 9829244313
E-mail: peeyush.gupta@siemens.com

Jalandar

H.No 448R, First Floor, Pushpa Niwas
Near Geeta Mandir, Model Town
Jalandar - 144001, Punjab
Mobile: +91 9779194445
E-mail: sunil.singla@siemens.com

Jamshedpur

823, Udaigiri, Vijaya Heritage, Uliyan, Kadma
Jamshedpur - 831005, Jharkhand
☎ : +91 657 6451637
Mobile: +91 9934311352
E-mail: shaibal.parial@siemens.com

Jodhpur

371, Gauri House, Kamala Nehru Nagar
Near SBI Bank, Jodhpur - 342008, Rajasthan
Mobile: +91 9828327200
E-mail: naveen.sahariya@siemens.com

Kanpur

106, Agarwal Aparment
Near Hari Har Dham Mandir, Shyam Nagar
Kanpur - 208013, Uttar Pradesh
☎ & Fax: +91 512 2423348
Mobile: +91 9839102434
E-mail: atul.shukla@siemens.com

Kolkata

43 Shanti Palli, R B Connector
Eastern Metropolitan Bypass, Kolkata - 700042
☎ : +91 33 24449000, 24428641-47
Fax: +91 33 24449010 / 13

Lucknow

28/45, Ashok Marg, Opposite Indira Bhawan
Lucknow - 226001
☎ : +91 522 4031022, 4031000
Fax: +91 522 4031019

Mumbai

130, Pandurang Budhkar Marg, Worli
Mumbai - 400018
☎ : +91 22 24987000-02
Fax: +91 22 24987312

Kolhapur

Sursati Mahabharat Apt., Flat No. 101, 1st Floor
C.S. NO. 250B / 22, Nr.Mahavir Garden to College
Main Road, Kolhapur - 416003, Maharashtra
☎ : +91 231 2663330
Mobile: +91 9881465421
E-mail: sachin.chavan@siemens.com

Kota

48, Model Town, Khedli Phatak
Kota - 324002, Rajasthan
Mobile: +91 9784842605
E-mail: ajit.parashar@siemens.com

Ludhiana

H.No 3746, First Floor, Sector 32-A
Chandigarh Road, Ludhiana - 141010, Punjab
Mobile: +91 9872317702
E-mail: rajeev.kapoor@siemens.com

Ludhiana

H.No 92, Lajpat Nagar, Near Bus Stand
Ludhiana - 141010, Punjab
☎ : +91 161 2770574
Mobile: +91 9815502480
E-mail: rohit.jagga@siemens.com

Madurai

8/12, Ground Floor, Sakhti Vellammal Street
SS Colony, Madurai - 625010, Tamilnadu
Mobile: +91 9894617780
E-mail: mahendiran.murugan@siemens.com

Nashik

Flat No 2, Shivam Park, Rajiv Nagar
Rane Nagar, Nasik-Mumbai Highway
Nashik - 422009, Maharashtra
Mobile: +91 9822193204
E-mail: kiran.vaidya@siemens.com

Pondicherry

32, Second Floor, St. Theresa Street
Pondicherry - 605001
☎ : +91 413 4500101
Mobile: +91 9840472727
E-mail: elankumarak.pandian@siemens.com

Raipur

Flat No.103, First Floor, Block B, Shilp Enclave
Near LAS Colony, Shankar Nagar
Raipur - 492007, Chhattisgarh
Mobile: +91 9425057945
E-mail: brajesh.rathor@siemens.com

Rajkot

D-3 Aalap Century, University Road
Rajkot - 360005, Gujarat
Mobile: +91 9825506962
E-mail: bhushan.sawant@siemens.com

Ranchi

H-1/187, Harmu Housing Colony, Harmu
Ranchi - 834002, Jharkhand
Mobile: +91 9234610953
E-mail: sourav.dasgupta@siemens.com

Renukoot

Above ICICI Prudentail Office, Patel Nagar
Murdhawa, Dist-Sonebhadra
Renukoot - 231217, Uttar Pradesh
Mobile: +91 9838007897
E-mail: siemens_upeast@sify.com

Nagpur

5th Floor, Landmark Building, Ramdas Peth
Nagpur - 440010
☎ : +91 712 6633000
Fax: +91 712 6633111

New Delhi

4A, Ring Road, I.P. Estate, New Delhi - 110002
☎ : +91 11 42995000-09
Fax: +91 11 42995030

Pune

Tower B / 701 - 705, ICC Trade Tower
403A, Senapati Bapat Road, Pune - 411016
☎ : +91 20 2570 6000
Fax: +91 20 2570 6060

Rourkela

T-15, Civil Town, Rourkela - 769004, Orissa
☎ : +91 661 2400880
Mobile: +91 9437041724
E-mail: sanjoy.ganguly@siemens.com

Salem

3/25 Santosh Nagar, PACB Backside
Chinnathirupathi, Salem - 636008, Tamilnadu
Mobile: +91 9894617772
E-mail: rubengerald@siemens.com

Sambalpur

Pradhan Para, Near Jamkani Mandir
Beside LIC Div Off, Ainthapalli
Sambalpur - 768004, Orissa
☎ : +91 663 2541258
Mobile: +91 9438529778
E-mail: samir.chaintak@siemens.com

Surat

59, Ground Floor, Shreejainagar Part-1
Dhabholi Char Rasta, Ved Road, Katagram
Surat - 395004, Gujarat
Mobile: +91 9925001779
E-mail: chandrakant.keshrani@siemens.com

Tiruchirappali

T3, 3rd Floor, Vishranthi Daffodils Apartments
Old Friends Eye Hospital, Puthur
Tiruchirappali - 620017, Tamilnadu
☎ & Fax: +91 431 4030390
Mobile: +91 9444911221
E-mail: akhilesh.nair@siemens.com

Trivandrum

Sonu, TC9/2082, 5, Thamarakulam Lane
Sathamangalam, Trivandrum - 695010, Kerala
Mobile: +91 9895979604
E-mail: jonsa-82@yahoo.com

Udaipur

303, Oasis Park, PP Singhal Marg, Ambavgarh
Udaipur - 313001, Rajasthan
☎ & Fax: +91 294 2430345
Mobile: +91 9829039120
E-mail: ankur.singh@siemens.com

Vapi

Flat No. 302, Samrajya IV, Royal Residency
Charwada Road, Vapi - 396195, Gujarat
☎ : +91 260 6451156
Mobile: +91 9825147957
E-mail: siemens_vapi@sancharnet.in

Vijayawada

G-2, Shreya Tower, Moghalrajapuram
Near Jammichettu Centre
Vijayawada - 520010, Andhra Pradesh
☎ : +91 866 6629933
Mobile: +91 9866463639
E-mail: santosh.p@siemens.com

Visakhapatnam

84, Mount Moriah Residency, Waltair Uplands
Visakhapatnam - 530003, Andhra Pradesh
☎ : +91 891 2712535
Mobile: +91 9849212555
E-mail: siemensvaizag@rediffmail.com

Siemens Ltd.
Industry Sector
LV Control & Distribution Products
Thane Belapur Road, Thane 400601
Fax: +91 22 27645627
E-mail: lvsgr-mktg.india@siemens.com

www.siemens.com/industry

Order No.: 102328512
SGR-01-105-012

Customer Care Toll free no. 1800 220 987
Email: adscs.india@siemens.com

Product upgradation is a continuous process. Hence, data in this brochure is subject to change without prior notice. For the latest information, please get in touch with our Sales Offices.